

8

7

6

5

4

SIZE  
D

DWG NO.

4.16-0.48-NEMA 3R-BUSBAR

SH  
1

REV.  
A

1

NOTES:  
 0. APPLICABLE DOCUMENTS AND STANDARDS  
 A. IEEE Std C57.12.01, IEC 60076-11.

1. MECHANICAL:

A. CONSTRUCTION:

ENCLOSURE IS NEMA 3R OUTDOOR KNOCK DOWN TYPE WITH REMOVABLE PANELS MADE OF COLD-ROLLED STEEL SHEET ATTACHED TO A STEEL BASE FRAME, AND THE BASE IS FINISHED WITH SPRAYING BLACK PAINT.

COILS: FIBER REINFORCED VACUUM CAST EPOXY RESIN WITH COPPER WINDINGS.

CORE: STEP LAPPED SILICA STEEL LAMINATION (EQUAL TO M5) WITH BLACK EPOXY PAINT COATING .

BUS WORK: TIN PLATED COPPER.

B. FINISH:

ENCLOSURE IS ELECTRO-STATIC POWDER PAINT, ANSI 61.

C. THE JUNCTION BOX (NEMA 4X) INCLUDES TERMINALS AND TERMINAL BOARDS, AND CABLE ENTERS FROM THE BOTTOM OF THE TERMINAL BOX.

2. ELECTRICAL:

A. TRANSFORMER RATING (SEE SHEET 2).

3. ENVIRONMENTAL:

A. OPERATING

OUTDOOR

TEMPERATURE: DESIGN AMBIENT TEMPERATURE IS 30°C(86°F) AVG / 40°C(104°F) MAX.

ALTITUDE: 1000M (3300FEET) MAX

B. STORAGE

TEMPERATURE: -25°C(-13°F) TO 50°C(122°F)

HUMIDITY: 0% TO 75%

4. MISCL:

A.  : CENTER OF GRAVITY.

B. ALL INDICATORS AND GAUGES ARE DIMENSIONED IN BOTH ENGLISH AND METRIC UNITS, UNLESS OTHERWISE SPECIFIED, DIMENSION TOLERANCE IS ±3%.

C. 54" SPACE REQUIRED AROUND THE ENCLOSURE FOR VENTILATION AND MAINTENANCE.

THIS DRAWING IS FOR REFERENCE ONLY,  
 JINPAN RESERVE THE RIGHT TO ADJUST  
 PARAMETER IF NECESSARY.

REVISIONS				
REV.	ZONE	DESCRIPTION	DATE	APPROVED
A		INITIAL ISSUE	Sep 22, 2017	P.Wan

D

D

C

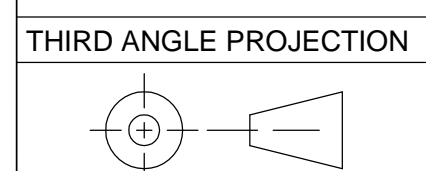
C

B

B

A

A



8

7

6

5

4

3

2

1

JINPAN INTERNATIONAL USA LIMITED		* 390 VETERANS BOULEVARD *	
		* CARLSTADT, NJ, 07072 *	
CAST COIL DRY-TYPE TRANSFORMER			
4.16 KV PRIMARY AND 0.48 KV SECONDARY			
<b>OUTLINE DRAWING</b>			
DWG NO: <b>4.16-0.48-NEMA 3R-BUSBAR</b>			
SIGNATURES		DATE	
DRAWN: D.Meng	Sep 22, 2017	SCALE: NONE	
CHECKED: L.Qin	Sep 22, 2017	REV.: A	
APPROVED: P.Wan	Sep 22, 2017	SHEET: 1 of 3	

SIZE  
D

DWG NO.  
4.16-0.48-NEMA 3R-BUSBAR

SH  
1  
REV.  
A

DISTR  
TO

8

7

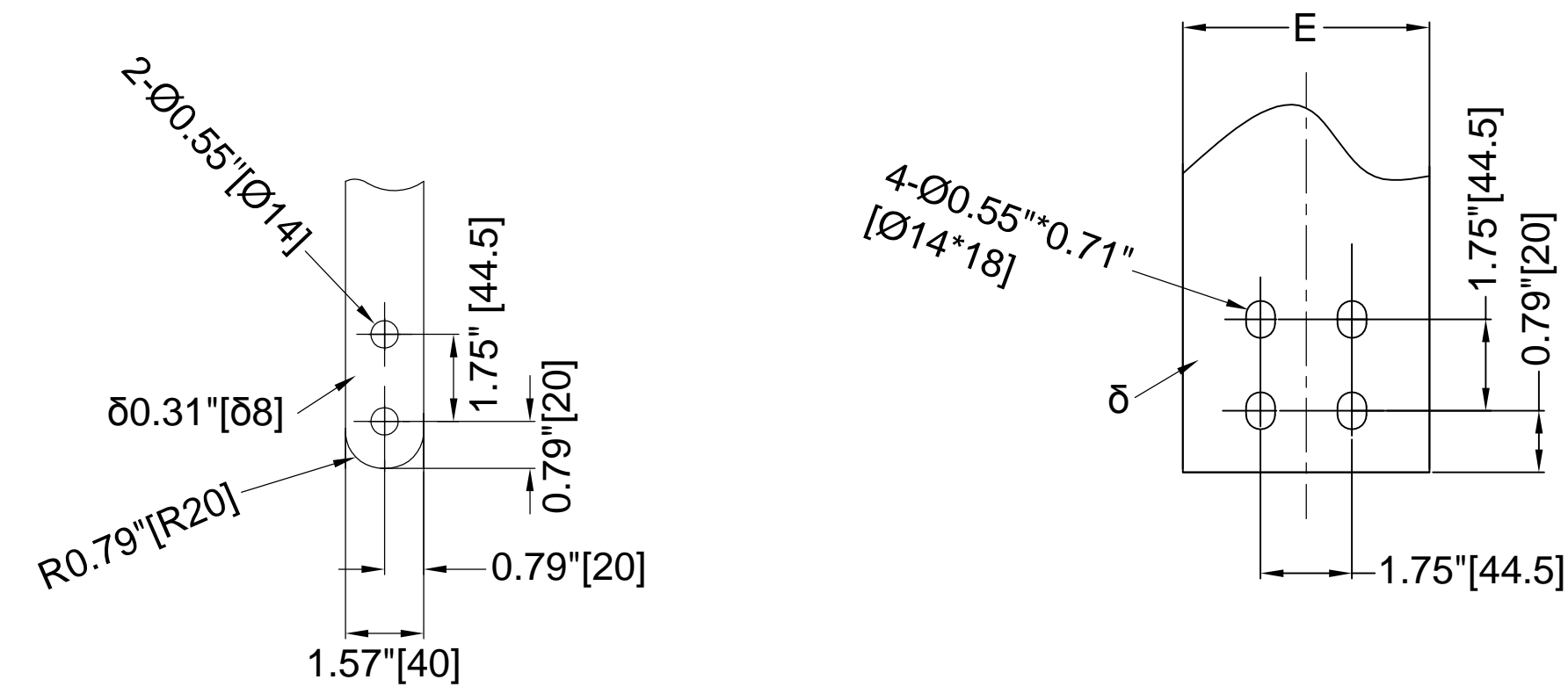
6

5

4

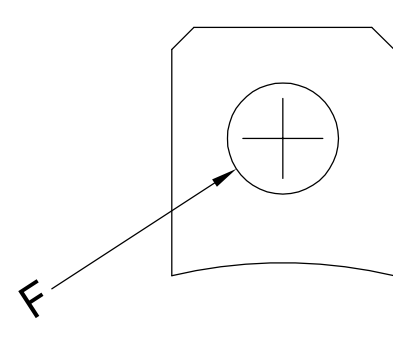
1

THIS DRAWING IS FOR REFERENCE ONLY, JINPAN RESERVE THE RIGHT TO ADJUST PARAMETER IF NECESSARY.



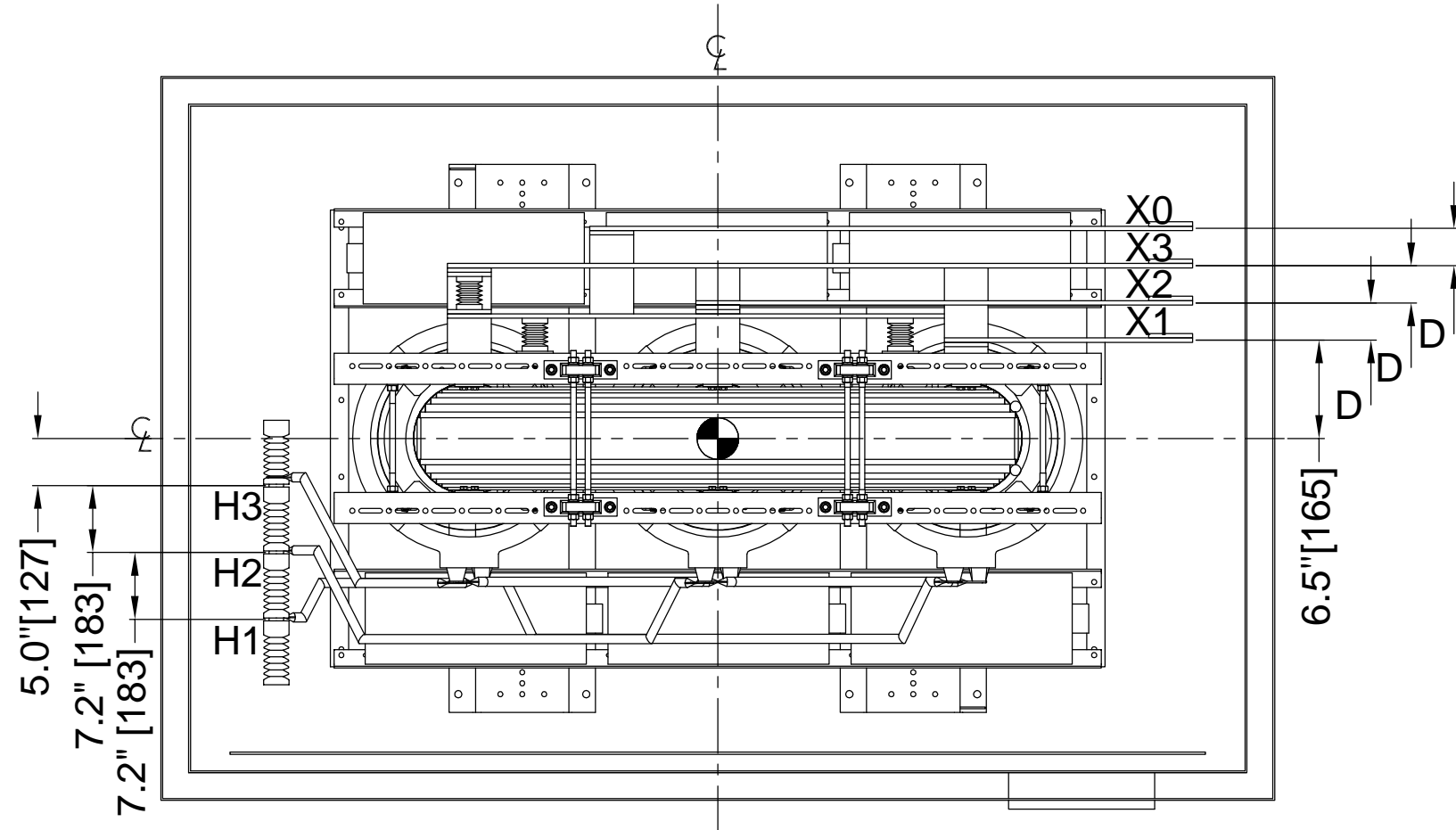
HV TERMINAL(H1-H3)

LV TERMINAL(X0-X3)

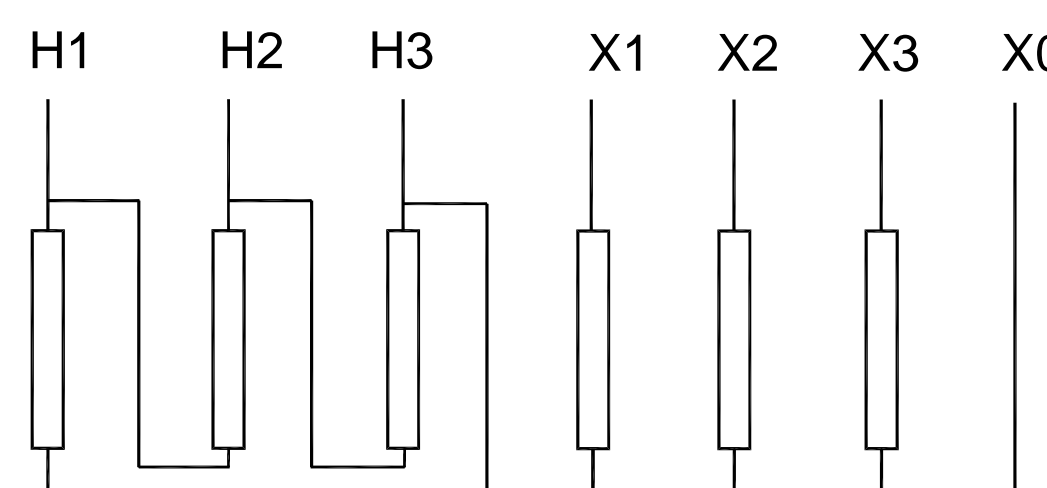


LIFTING LUG

Rated (kVA)	Dimension(in/mm)										LBS/KG	
	A	B	C	D	E	δ	F	G	W1	W2		
500/665	96"[2438]	33"[838]	65"[1651]	3.78"[96]	3.15"[80]	0.24"[6]	Ø1.97"[Ø50]	38"[965]	4550/2065	8190/3715		
1000/1330	96"[2438]	35"[889]	65"[1651]	3.94"[100]	3.15"[80]	0.39"[10]	Ø1.97"[Ø50]	38"[965]	7595/3445	11230/5095		
2000/2660	114"[2896]	40"[1016]	75"[1905]	4.02"[102]	5.91"[150]	0.47"[12]	Ø1.97"[Ø50]	47"[1194]	14310/6490	18390/8340		
3000/3990	126"[3200]	42"[1067]	75"[1905]	4.13"[105]	5.91"[150]	0.59"[15]	Ø2.76"[Ø70]	53"[1346]	18010/8170	22380/10150		

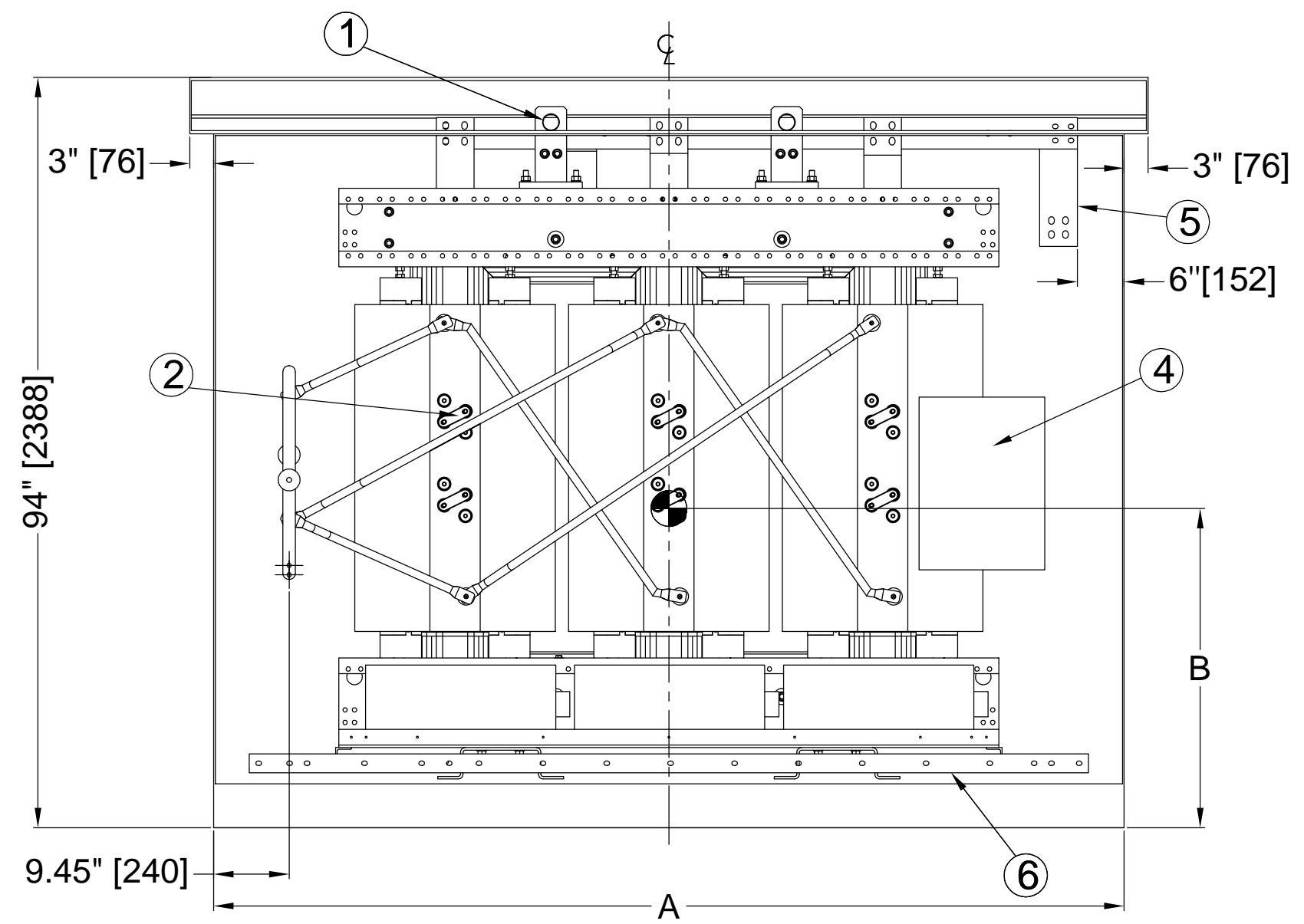


TOP PLAN VIEW

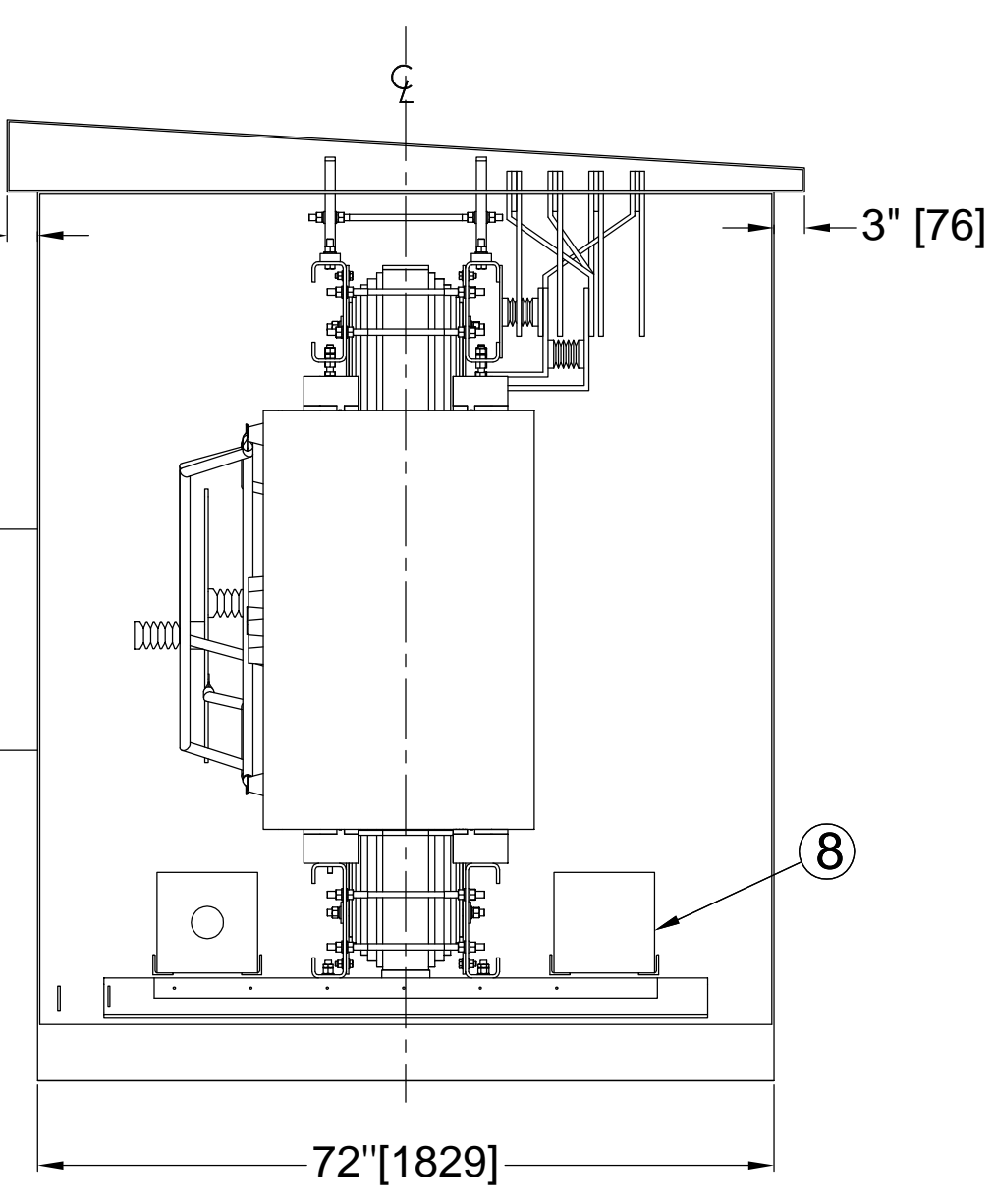


TAP	VOLTAGE	CONNECTIONS	FIGURE
A	4368	2 - 3 & 6 - 7	② ①③ ④
B	4264	2 - 3 & 5 - 7	
C	4160	1 - 3 & 5 - 7	⑥ ⑤⑦ ⑧
D	4056	1 - 3 & 5 - 8	
E	3952	1 - 4 & 5 - 8	

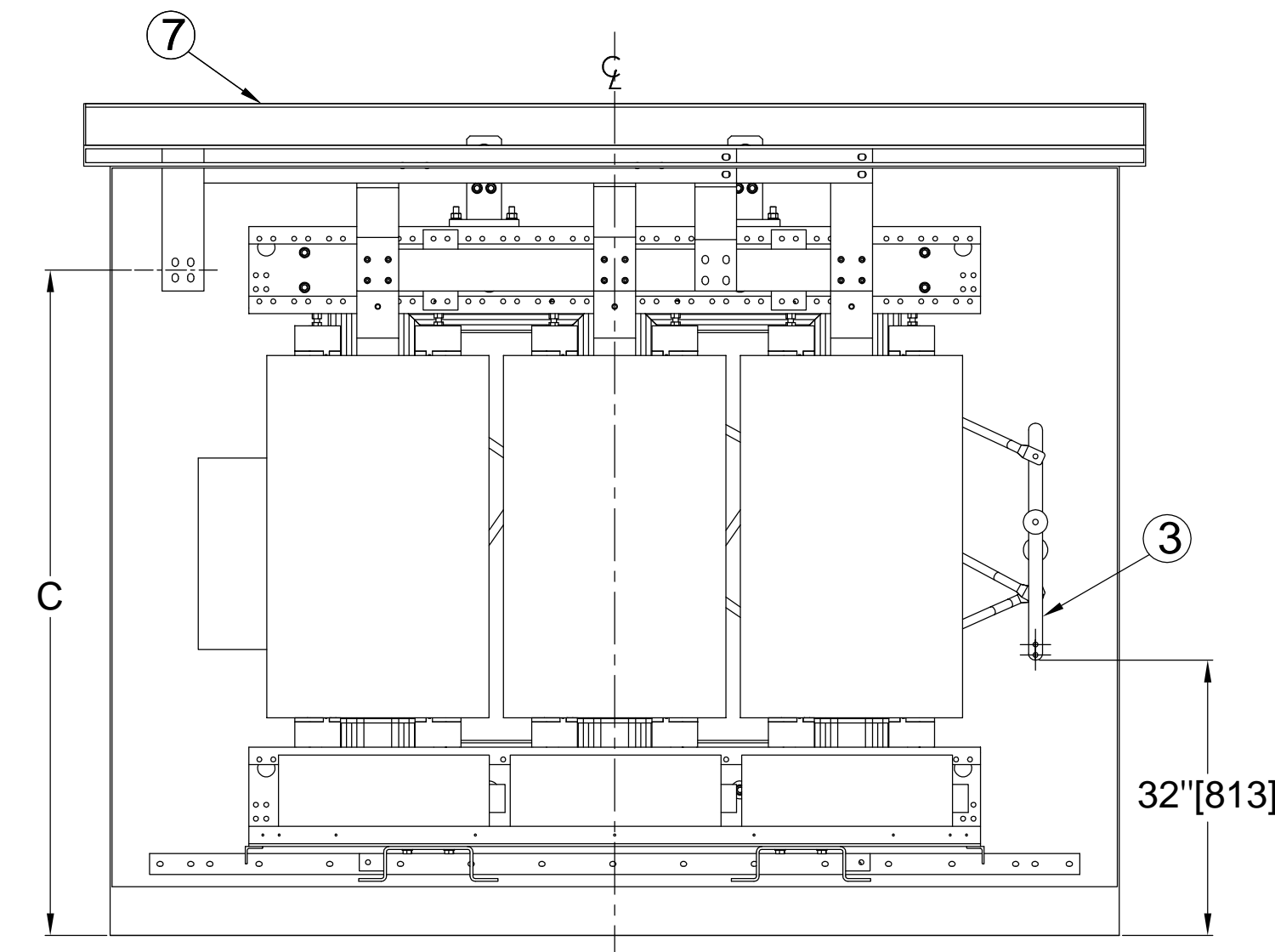
B



FRONT VIEW (HV TAPS)



RIGHT SIDE VIEW



REAR VIEW

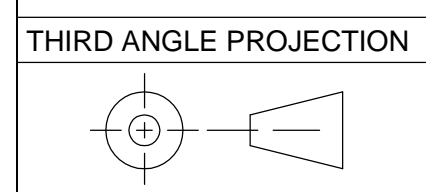
ITEM	QTY.	DESCRIPTION	REFERENCE
8	6	COOLING FAN	
7	1	ENCLOSURE	
6	1	GROUND BUS	
5	4	LV TERMINAL	
4	1	JUNCTION BOX (JB)	
3	3	HV TERMINAL	
2	6	HV TAPS	
1	4	LIFTING LUG	

STANDARD: IEEE Std C57.12.01, IEC 60076-11			
KVA: Rated	4160	COOLING CLASS:	AA / FA
HV. 4160 V D		B.I.L.	60 kV 12 kV AC
LV. 480 V Y		B.I.L.	30 kV 4 kV AC
PHASE:	3	FREQUENCY:	60 Hz
INSULATION SYSTEM:	185°C(365°F)	TEMPERATURE RISE:	80°C(176°F)
HV TAPS:	±5%, 2.5% EACH STEP		
CONNECTION:	Dyn1		
IMPEDANCE:	5.75% based on Rated kVA (Tolerance: +/-7.5%)		
APPROX. WEIGHT	TRANSFORMER:	W1	
	TRANSFORMER WITH ENCLOSURE:	W2	

JINPAN INTERNATIONAL USA LIMITED  
 390 VETERANS BOULEVARD \*  
 CARLSTADT, NJ, 07072 \*

CAST COIL DRY-TYPE TRANSFORMER  
 4.16 KV PRIMARY AND 0.48 KV SECONDARY

DWG NO: 4.16-0.48-NEMA 3R-BUSBAR		
SIGNATURES	DATE	SCALE: NONE
DRAWN: D.Meng	Sep 22, 2017	REV.: A
CHECKED: L.Qin	Sep 22, 2017	SHEET: 2 of 3
APPROVED: P.Wan	Sep 22, 2017	



8

7

6

5

4

3

2

1

SIZE DWG NO. 4.16-0.48-NEMA 3R-BUSBAR SHEET 1 REV. A

8

7

6

5

4

1

THIS DRAWING IS FOR REFERENCE ONLY,  
JINPAN RESERVE THE RIGHT TO ADJUST  
PARAMETER IF NECESSARY.

D

D

C

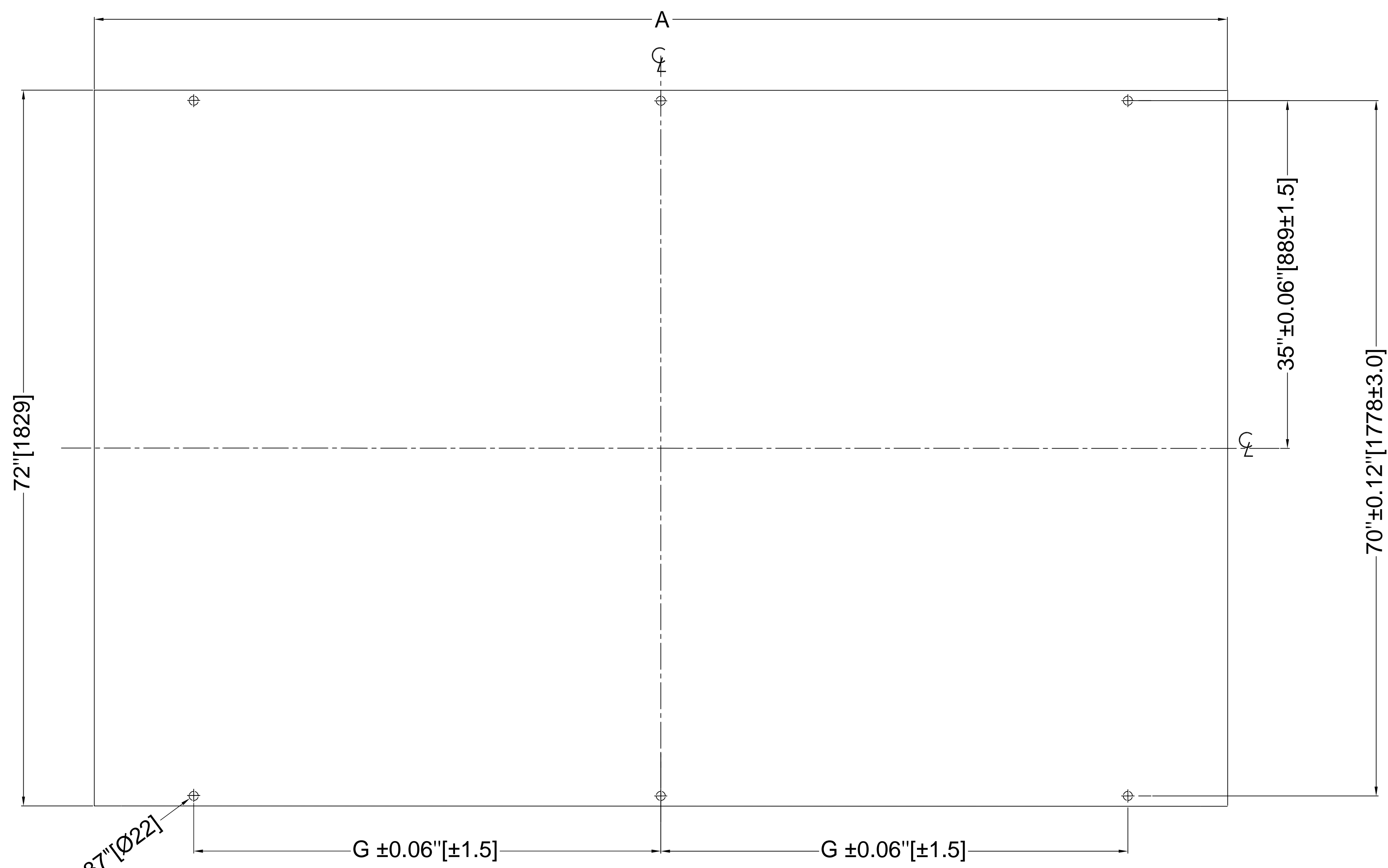
C

B

B

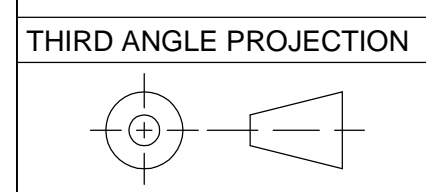
A

A



FRONT SIDE  
FOUNDATION PLAN

MOUNTING HOLES 6-Ø0.87" [Ø22]



8

7

6

5

4

3

2

1

JINPAN INTERNATIONAL USA LIMITED		* 390 VETERANS BOULEVARD *	
		* CARLSTADT, NJ, 07072 *	
CAST COIL DRY-TYPE TRANSFORMER			
4.16 KV PRIMARY AND 0.48 KV SECONDARY			
<b>OUTLINE DRAWING</b>			
DWG NO: <b>4.16-0.48-NEMA 3R-BUSBAR</b>			
SIGNATURES		DATE	
DRAWN: D.Meng		Sep 22, 2017	SCALE: NONE
CHECKED: L.Qin		Sep 22, 2017	REV.: A
APPROVED: P.Wan		Sep 22, 2017	SHEET: 3 of 3