

8

7

6

5

4

SIZE
D

DWG NO.

4.16-0.208-NEMA 3R-CABLE

SH
1

REV.
A

1

NOTES:

0. APPLICABLE DOCUMENTS AND STANDARDS

A. IEEE Std C57.12.01, IEC 60076-11.

1. MECHANICAL:

A. CONSTRUCTION:

ENCLOSURE IS NEMA 3R OUTDOOR KNOCK DOWN TYPE WITH REMOVABLE PANELS MADE OF COLD-ROLLED STEEL SHEET ATTACHED TO A STEEL BASE FRAME, AND THE BASE IS FINISHED WITH SPRAYING BLACK PAINT.

COILS: FIBER REINFORCED VACUUM CAST EPOXY RESIN WITH COPPER WINDINGS.

CORE: STEP LAPPED SILICA STEEL LAMINATION (EQUAL TO M5) WITH BLACK EPOXY PAINT COATING .

BUS WORK: TIN PLATED COPPER.

B. FINISH:

ENCLOSURE IS ELECTRO-STATIC POWDER PAINT, ANSI 61.

C. THE JUNCTION BOX (NEMA 4X) INCLUDES TERMINALS AND TERMINAL BOARDS, AND CABLE ENTERS FROM THE BOTTOM OF THE TERMINAL BOX.

2. ELECTRICAL:

A. TRANSFORMER RATING (SEE SHEET 2).

3. ENVIRONMENTAL:

A. OPERATING

OUTDOOR

TEMPERATURE: DESIGN AMBIENT TEMPERATURE IS 30°C(86°F) AVG / 40°C(104°F) MAX.

ALTITUDE: 1000M (3300FEET) MAX

B. STORAGE

TEMPERATURE: -25°C(-13°F) TO 50°C(122°F)

HUMIDITY: 0% TO 75%

4. MISCL:

A.  : CENTER OF GRAVITY.

B. ALL INDICATORS AND GAUGES ARE DIMENSIONED IN BOTH ENGLISH AND METRIC UNITS, UNLESS OTHERWISE SPECIFIED, DIMENSION TOLERANCE IS ±3%.

C. 54" SPACE REQUIRED AROUND THE ENCLOSURE FOR VENTILATION AND MAINTENANCE.

THIS DRAWING IS FOR REFERENCE ONLY,
JINPAN RESERVE THE RIGHT TO ADJUST
PARAMETER IF NECESSARY.

REVISIONS				
REV.	ZONE	DESCRIPTION	DATE	APPROVED
A		INITIAL ISSUE	Sep 22, 2017	S.Yang

D

D

C

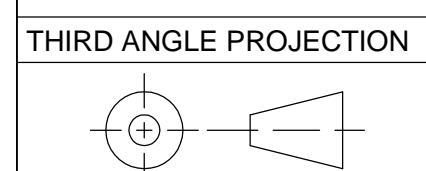
C

B

B

A

A



8

7

6

5

4

3

2

1

JINPAN INTERNATIONAL USA LIMITED		* 390 VETERANS BOULEVARD *	
		* CARLSTADT, NJ, 07072 *	
CAST COIL DRY-TYPE TRANSFORMER			
4.16 KV PRIMARY AND 0.208 KV SECONDARY			
OUTLINE DRAWING			
DWG NO: 4.16-0.208-NEMA 3R-CABLE			
SIGNATURES		DATE	SCALE:
DRAWN: R.Wang	Sep 22, 2017	NONE	
CHECKED: F.Chen	Sep 22, 2017	REV.: A	
APPROVED: S.Yang	Sep 22, 2017	SHEET: 1 of 3	

SIZE
D

DWG NO.
4.16-0.208-NEMA 3R-CABLE

SH
1

REV.
A

DISTR
TO

THIS DRAWING IS FOR REFERENCE ONLY, JINPAN RESERVE THE RIGHT TO ADJUST PARAMETER IF NECESSARY.

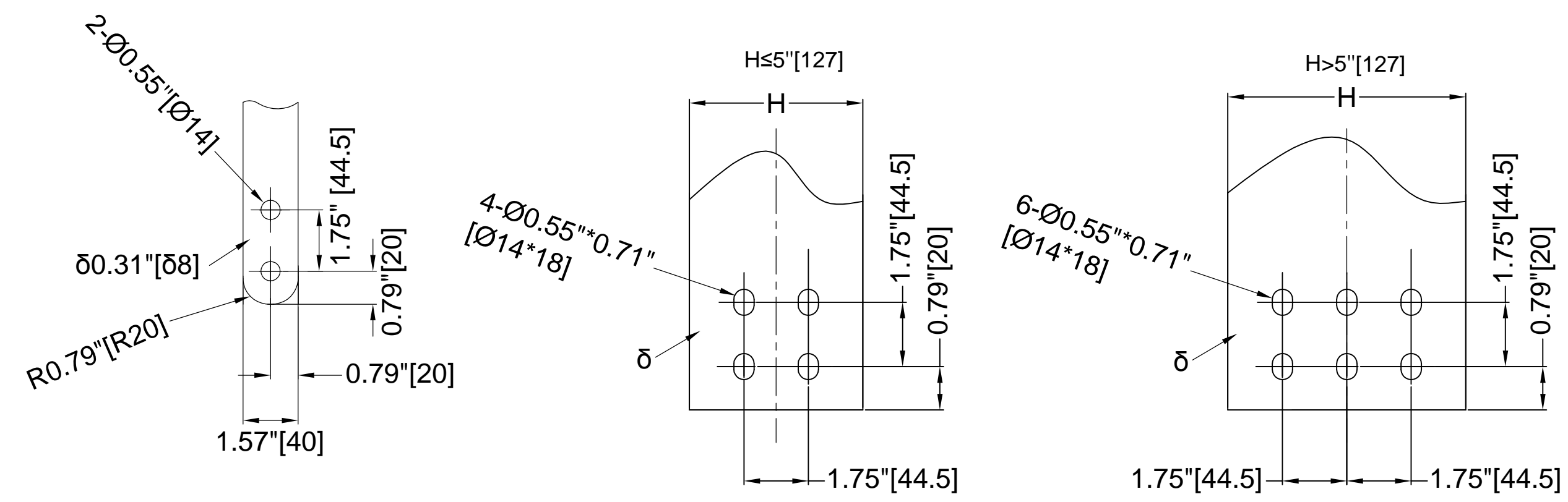
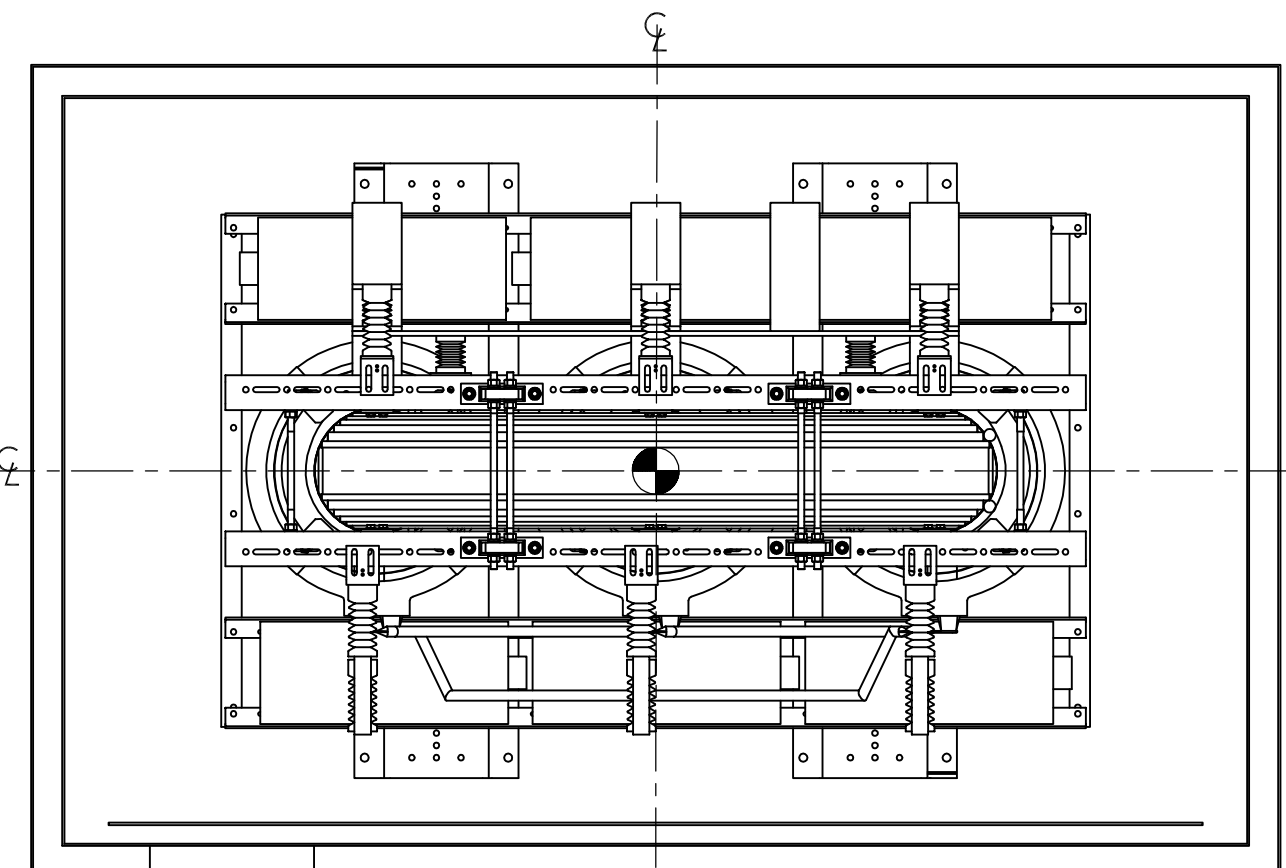


Table with columns: Rated (kVA), Dimension (in/mm) (A-E), δ, I, J, LBS/KG (W1, W2). Rows for 500/665, 1000/1330, 1500/1995 kVA ratings.

HV TERMINAL(H1-H3)

LV TERMINAL(X0-X3)

LIFTING LUG



TOP PLAN VIEW

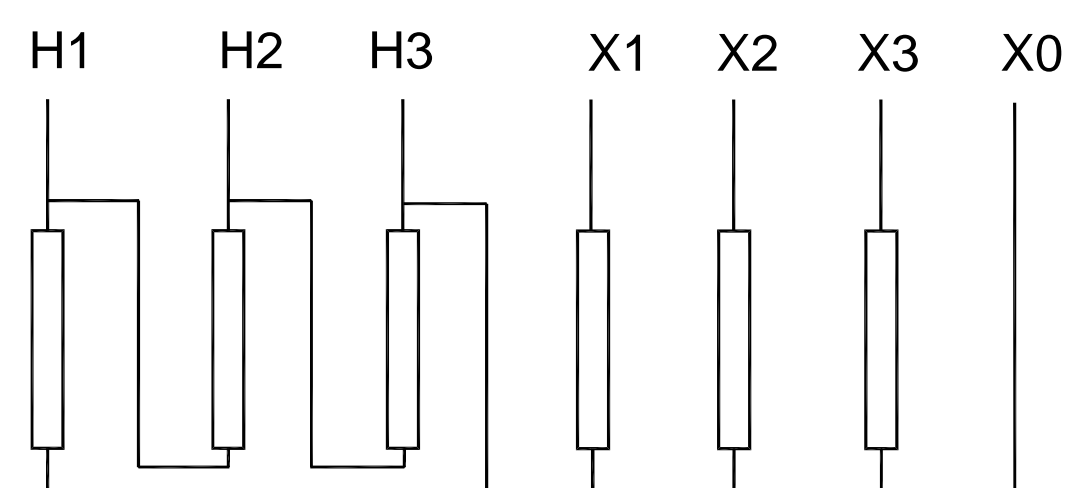
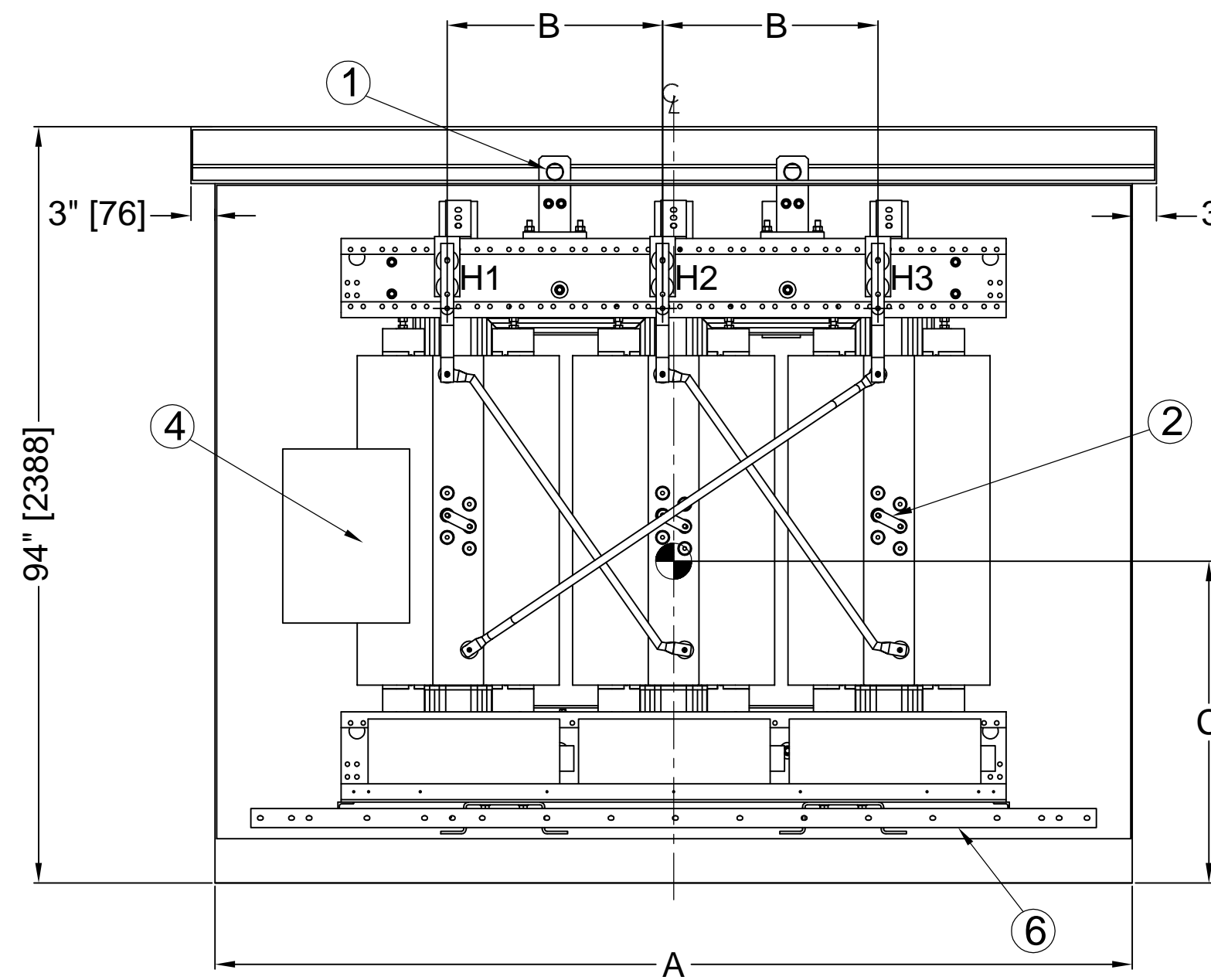
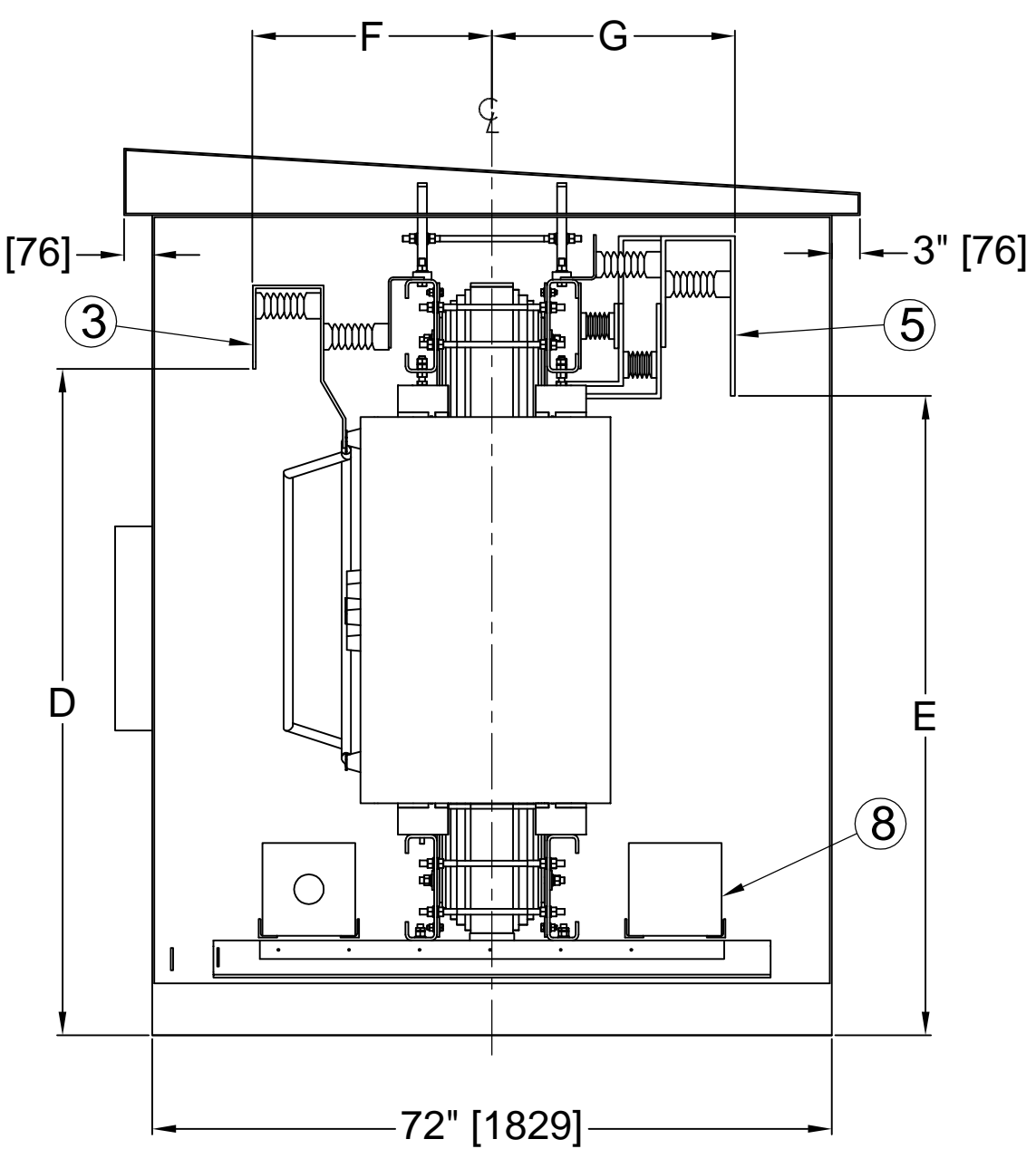


Table with columns: TAP, VOLTAGE, CONNECTIONS, FIGURE. Rows for taps A, B, C, D, E.

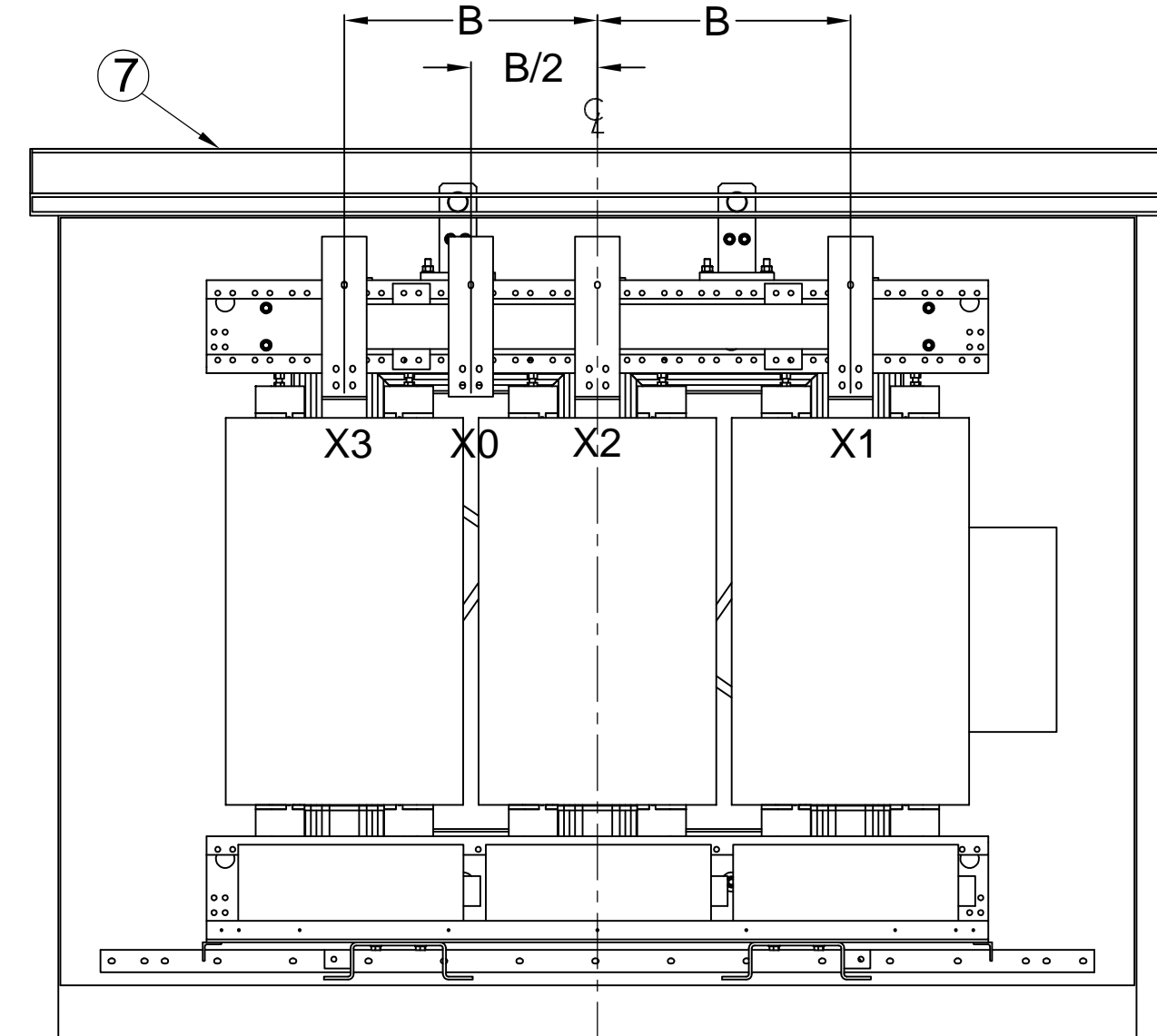
Table with columns: ITEM, QTY., DESCRIPTION, REFERENCE. Lists components like COOLING FAN, ENCLOSURE, GROUND BUS, etc.



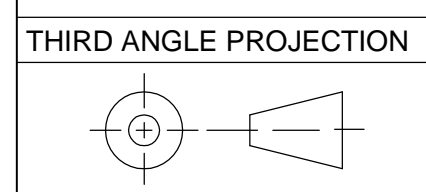
FRONT VIEW (HV TAPS)



RIGHT SIDE VIEW



REAR VIEW



Technical specifications table including: STANDARD: IEEE Std C57.12.01, IEC 60076-11; KVA: Rated 4160; HV: 4160 V D; LV: 208 V Y; PHASE: 3; FREQUENCY: 60 Hz; INSULATION SYSTEM: 185°C(365°F); TEMPERATURE RISE: 80°C(176°F); HV TAPS: ±5%, 2.5% EACH STEP; CONNECTION: Dyn1; IMPEDANCE: 5.75% based on Rated kVA; APPROX. WEIGHT: TRANSFORMER: W1, TRANSFORMER WITH ENCLOSURE: W2.

JINPAN INTERNATIONAL USA LIMITED
CAST COIL DRY-TYPE TRANSFORMER
4.16 KV PRIMARY AND 0.208 KV SECONDARY

OUTLINE DRAWING

Table with columns: SIGNATURES, DATE, SCALE, REV., SHEET. Includes drawing date (Sep 22, 2017) and sheet number (2 of 3).

SIZE D DWG NO. 4.16-0.208-NEMA 3R-CABLE SH 2 REV. A

8

7

6

5

4

1

THIS DRAWING IS FOR REFERENCE ONLY,
JINPAN RESERVE THE RIGHT TO ADJUST
PARAMETER IF NECESSARY.

D

C

B

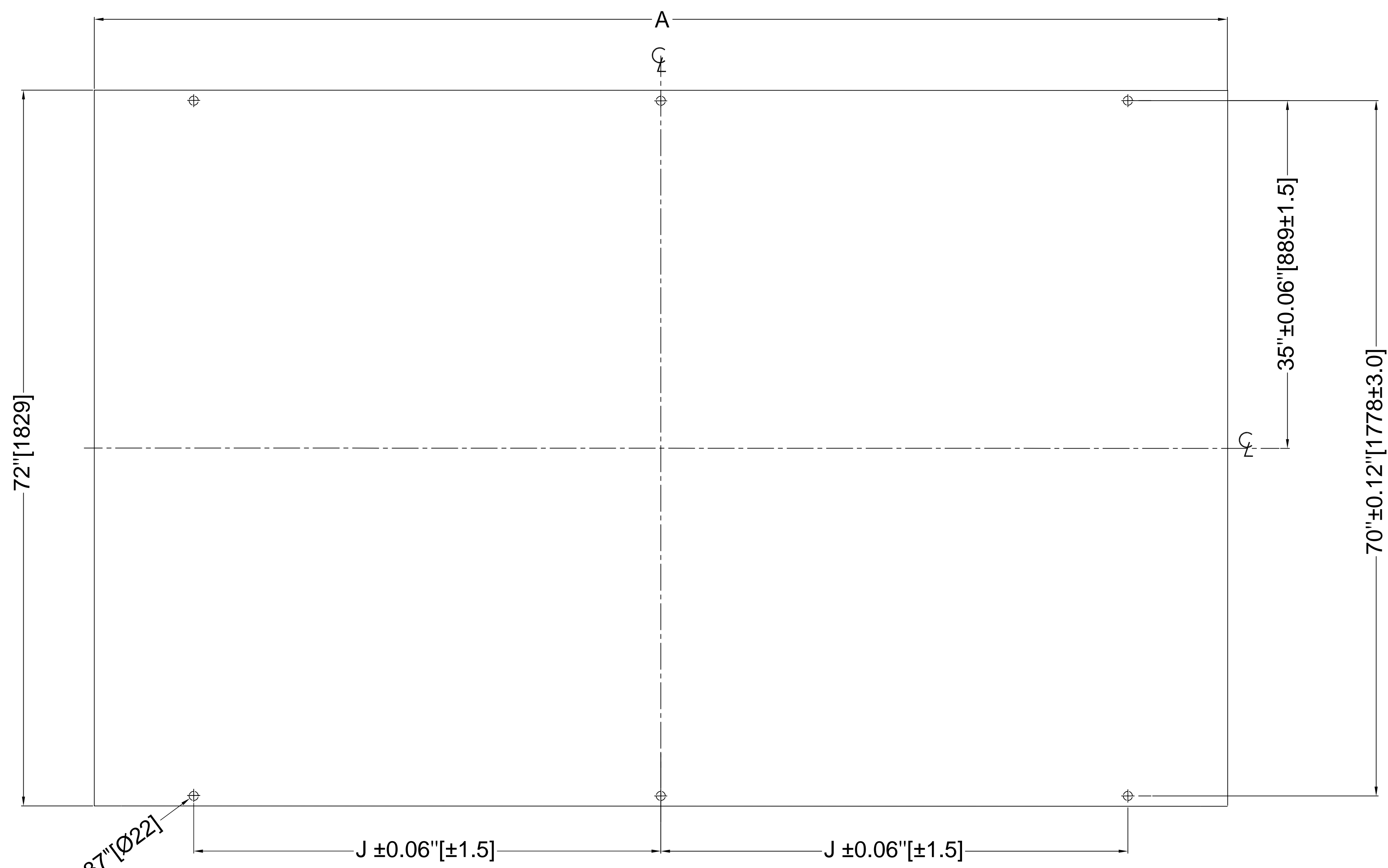
A

D

C

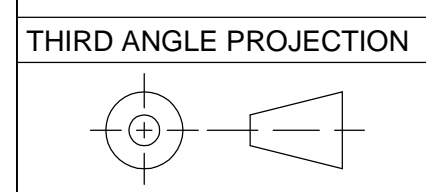
B

A



MOUNTING HOLES 6-Ø0.87" [Ø22]

FRONT SIDE
FOUNDATION PLAN



8

7

6

5

4

3

2

1

JINPAN INTERNATIONAL USA LIMITED		* 390 VETERANS BOULEVARD *	
		* CARLSTADT, NJ, 07072 *	
CAST COIL DRY-TYPE TRANSFORMER			
4.16 KV PRIMARY AND 0.208 KV SECONDARY			
OUTLINE DRAWING			
DWG NO: 4.16-0.208-NEMA 3R-CABLE			
SIGNATURES		DATE	
DRAWN: R.Wang		Sep 22, 2017	SCALE: NONE
CHECKED: F.Chen		Sep 22, 2017	REV.: A
APPROVED: S.Yang		Sep 22, 2017	SHEET: 3 of 3