

8

7

6

5

4

SIZE
D

DWG NO.

34.5-0.48-NEMA 3R-CABLE

SH
1

REV.
A

1

NOTES:

0. APPLICABLE DOCUMENTS AND STANDARDS

A. IEEE Std C57.12.01, IEC 60076-11.

1. MECHANICAL:

A. CONSTRUCTION:

ENCLOSURE IS NEMA 3R OUTDOOR KNOCK DOWN TYPE WITH REMOVABLE PANELS MADE OF COLD-ROLLED STEEL SHEET ATTACHED TO A STEEL BASE FRAME, AND THE BASE IS FINISHED WITH SPRAYING BLACK PAINT.

COILS: FIBER REINFORCED VACUUM CAST EPOXY RESIN WITH COPPER WINDINGS.

CORE: STEP LAPPED SILICA STEEL LAMINATION (EQUAL TO M5) WITH BLACK EPOXY PAINT COATING .

BUS WORK: TIN PLATED COPPER.

B. FINISH:

ENCLOSURE IS ELECTRO-STATIC POWDER PAINT, ANSI 61.

C. THE JUNCTION BOX (NEMA 4X) INCLUDES TERMINALS AND TERMINAL BOARDS, AND CABLE ENTERS FROM THE BOTTOM OF THE TERMINAL BOX.

2. ELECTRICAL:

A. TRANSFORMER RATING (SEE SHEET 2).

3. ENVIRONMENTAL:

A. OPERATING

OUTDOOR

TEMPERATURE: DESIGN AMBIENT TEMPERATURE IS 30°C(86°F) AVG / 40°C(104°F) MAX.

ALTITUDE: 1000M (3300FEET) MAX

B. STORAGE

TEMPERATURE: -25°C(-13°F) TO 50°C(122°F)

HUMIDITY: 0% TO 75%

4. MISCL:

A.  : CENTER OF GRAVITY.

B. ALL INDICATORS AND GAUGES ARE DIMENSIONED IN BOTH ENGLISH AND METRIC UNITS, UNLESS OTHERWISE SPECIFIED, DIMENSION TOLERANCE IS ±3%.

C. 54" SPACE REQUIRED AROUND THE ENCLOSURE FOR VENTILATION AND MAINTENANCE.

THIS DRAWING IS FOR REFERENCE ONLY,
JINPAN RESERVE THE RIGHT TO ADJUST
PARAMETER IF NECESSARY.

REVISIONS				
REV.	ZONE	DESCRIPTION	DATE	APPROVED
A		INITIAL ISSUE	Oct 25, 2017	P.Wan

D

D

C

C

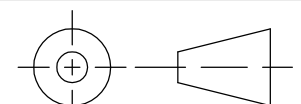
B

B

A

A

THIRD ANGLE PROJECTION



8

7

6

5

4

3

2

1

JINPAN INTERNATIONAL USA LIMITED		* 390 VETERANS BOULEVARD *	
		* CARLSTADT, NJ, 07072 *	
CAST COIL DRY-TYPE TRANSFORMER			
34.5 KV PRIMARY AND 0.48 KV SECONDARY			
OUTLINE DRAWING			
DWG NO:			
34.5-0.48-NEMA 3R-CABLE			
SIGNATURES		DATE	
DRAWN: C.Zhang		Oct 25, 2017	SCALE: NONE
CHECKED: R.Mao		Oct 25, 2017	REV.: A
APPROVED: P.Wan		Oct 25, 2017	SHEET: 1 of 3

SIZE
D

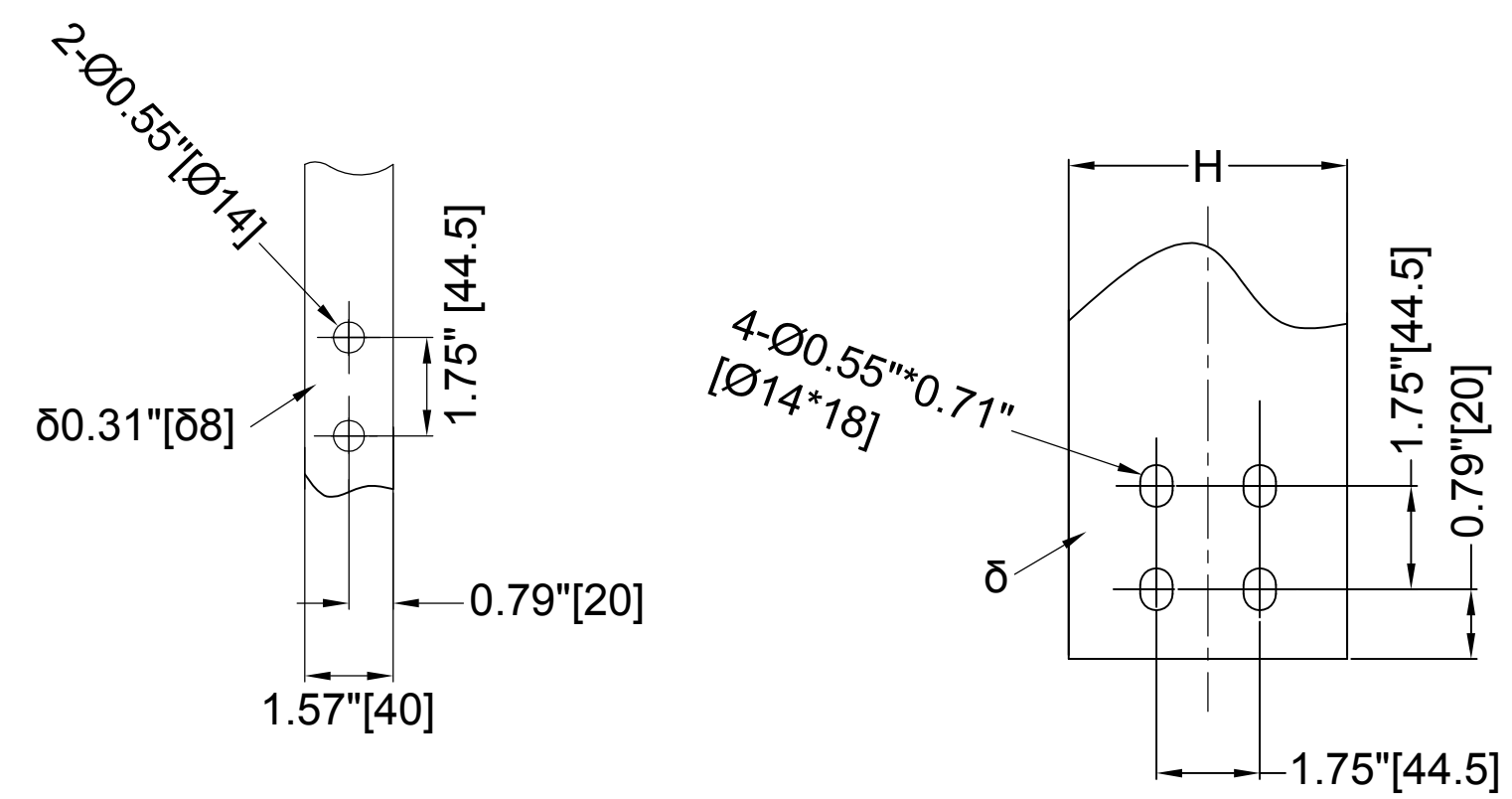
DWG NO.
34.5-0.48-NEMA 3R-CABLE

SH
1

REV.
A

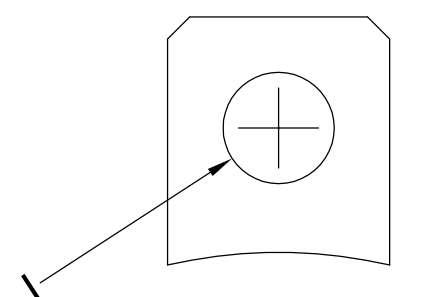
TO
DISTR

THIS DRAWING IS FOR REFERENCE ONLY, JINPAN RESERVE THE RIGHT TO ADJUST PARAMETER IF NECESSARY.



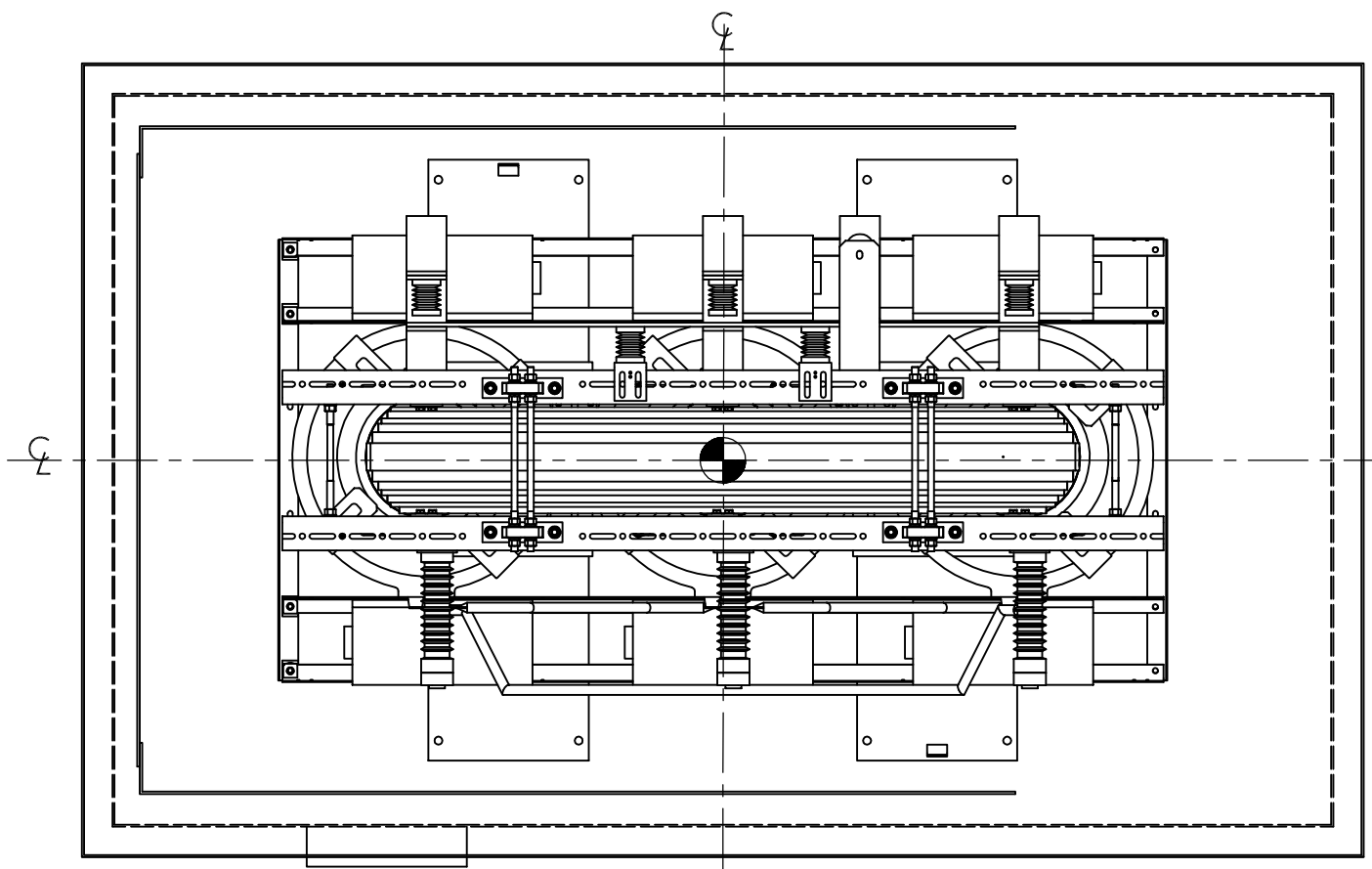
HV TERMINAL(H1-H3)

LV TERMINAL(X0-X3)

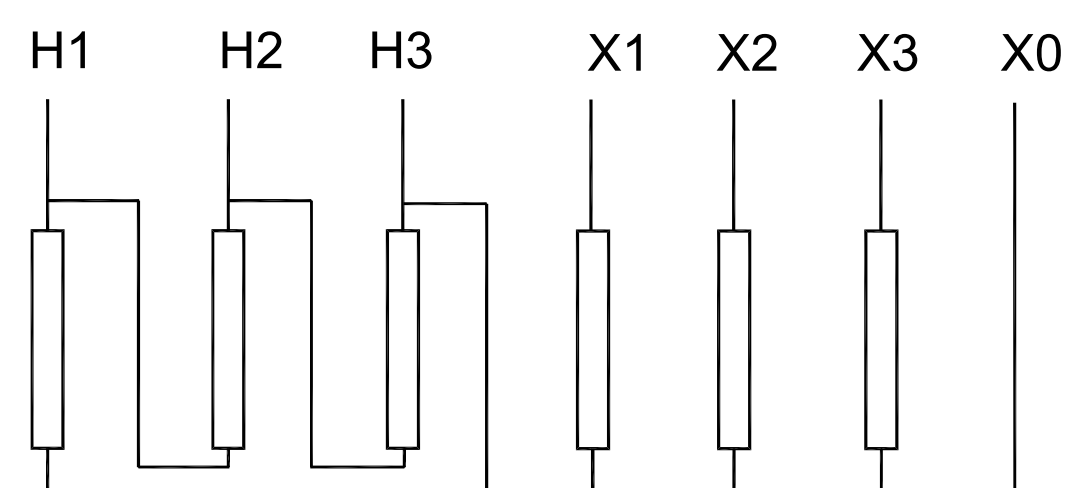


LIFTING LUG

Rated (kVA)	Dimension(in/mm)													LBS/KG	
	A	B	C	D	E	F	G	H	δ	I	J	K	W1	W2	
500/665	96"[2438]	24.0"[610]	40"[1016]	64"[1626]	62"[1575]	21.7"[550]	20.5"[520]	3.15"[80]	0.24"[6]	Ø1.97"[Ø50]	38"[965]	72"[1829]	7740/3510	11380/5160	
1000/1330	114"[2896]	25.6"[650]	43"[1092]	72"[1829]	68"[1727]	22.4"[570]	21.7"[550]	3.15"[80]	0.39"[10]	Ø1.97"[Ø50]	47"[1194]	78"[1981]	11180/5070	15370/6970	
2000/2660	126"[3200]	33.5"[850]	47"[1194]	74"[1880]	70"[1778]	23.6"[600]	28.0"[710]	5.91"[150]	0.47"[12]	Ø1.97"[Ø50]	53"[1346]	78"[1981]	19490/8840	23980/10880	
3000/3990	138"[3505]	37.0"[940]	48"[1219]	75"[1905]	71"[1803]	24.4"[620]	28.0"[710]	5.91"[150]	0.59"[15]	Ø2.76"[Ø70]	59"[1499]	84"[2134]	24870/11280	29870/13550	



TOP PLAN VIEW



TAP	VOLTAGE	CONNECTIONS	FIGURE
A	36225	2 - 3,6 - 7	② ① ③ ④
B	35363	2 - 3,5 - 7	
C	34500	1 - 3,5 - 7	⑥ ⑤ ⑦ ⑧
D	33638	1 - 3,5 - 8	
E	32775	1 - 4,5 - 8	

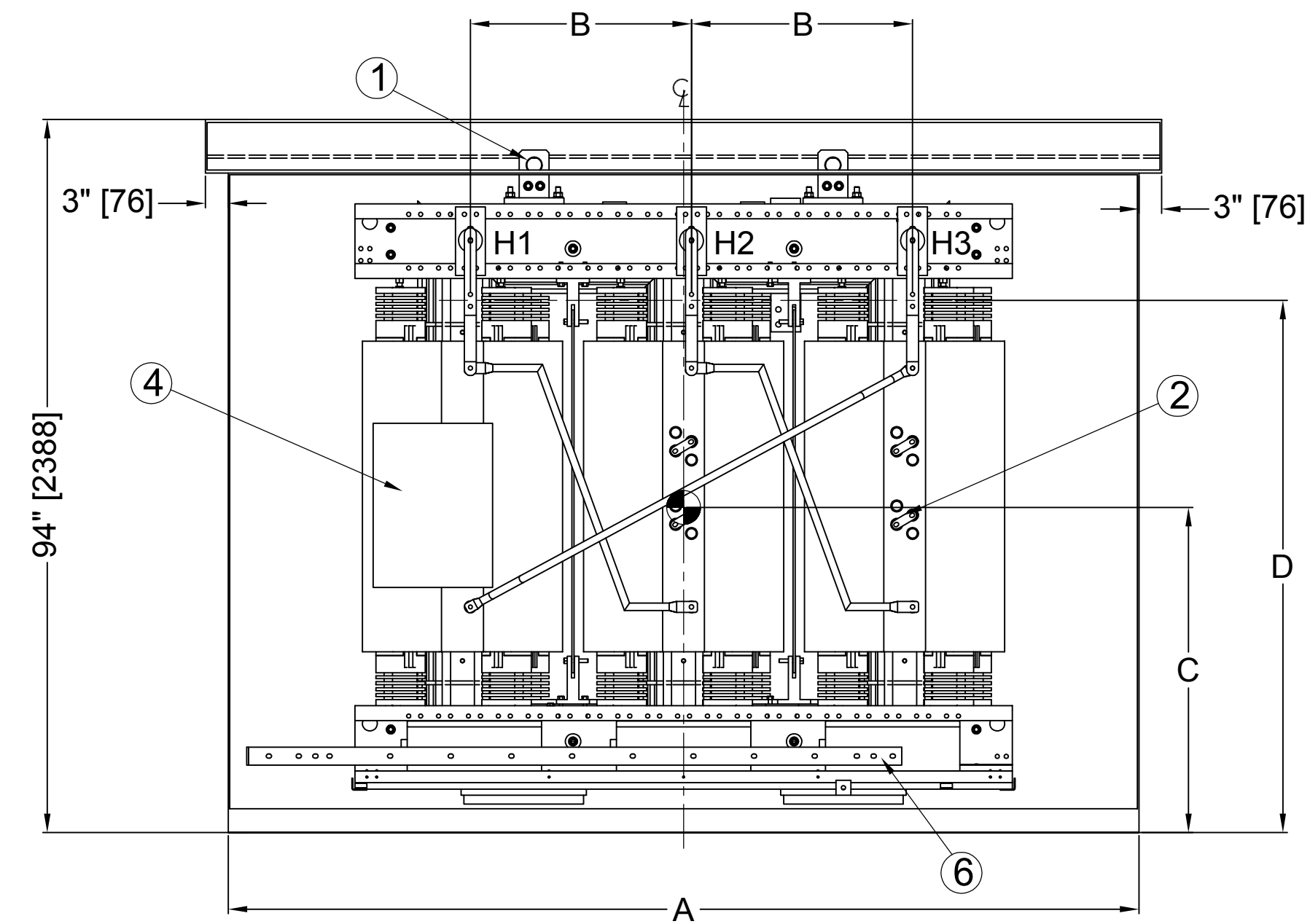
ITEM	QTY.	DESCRIPTION	REFERENCE
8	6	COOLING FAN	
7	1	ENCLOSURE	
6	1	GROUND BUS	
5	4	LV TERMINAL	
4	1	JUNCTION BOX (JB)	
3	3	HV TERMINAL	
2	6	HV TAPS	
1	4	LIFTING LUG	

STANDARD: IEEE Std C57.12.01, IEC 60076-11	
KVA: Rated	COOLING CLASS: AA / FA
HV. 34500 V D	B.I.L. 150 kV 70 kV AC
LV. 480 V Y	B.I.L. 30 kV 4 kV AC
PHASE: 3	FREQUENCY: 60 Hz
INSULATION SYSTEM: 185°C(365°F)	TEMPERATURE RISE: 80°C(176°F)
HV TAPS: ±5%, 2.5% EACH STEP	
CONNECTION: Dyn1	
IMPEDANCE: 5.75% based on Rated kVA (Tolerance: +/-7.5%)	
APPROX. WEIGHT	TRANSFORMER: W1
	TRANSFORMER WITH ENCLOSURE: W2

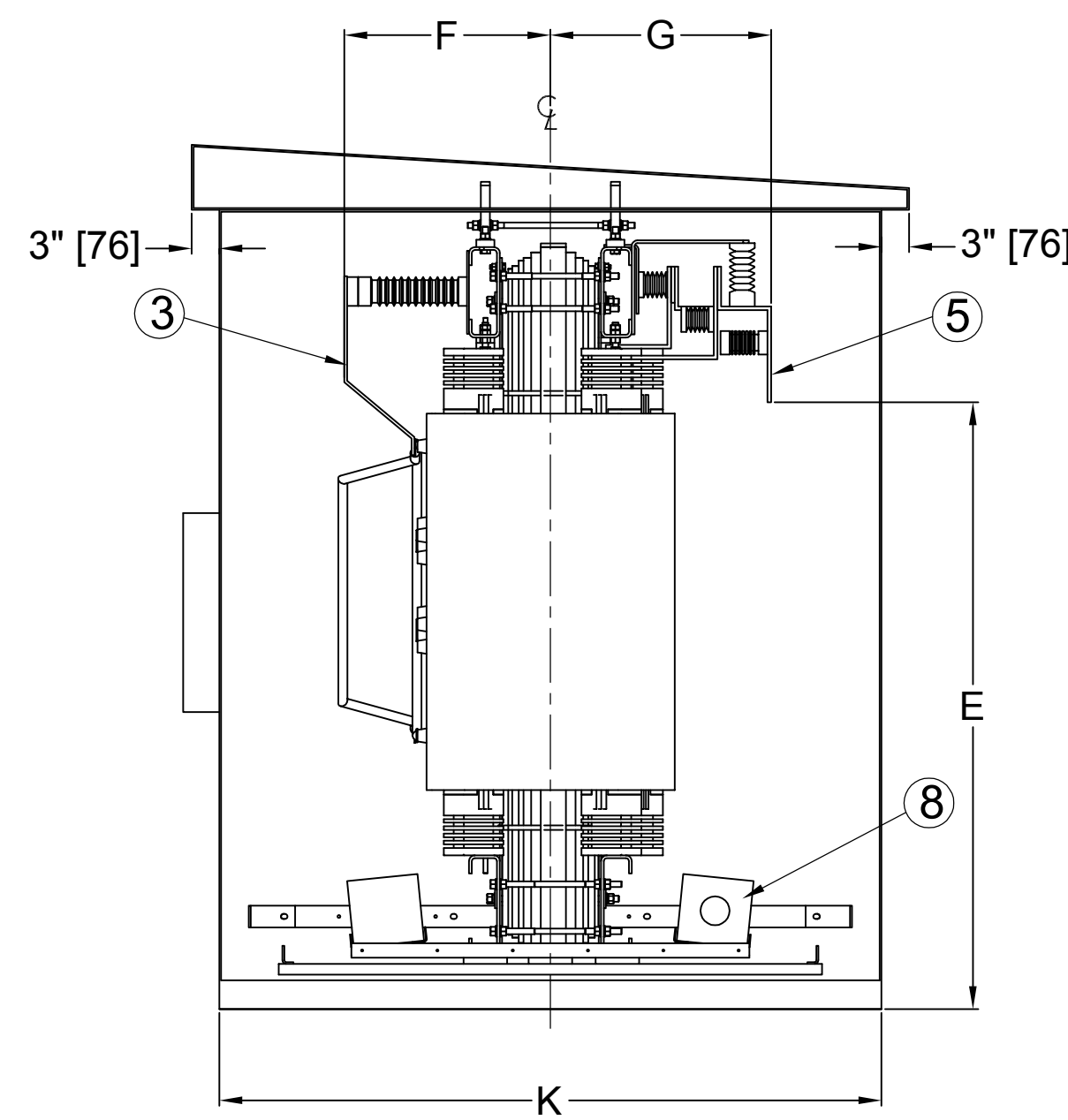
JINPAN INTERNATIONAL USA LIMITED
 390 VETERANS BOULEVARD *
 CARLSTADT, NJ, 07072 *
 CAST COIL DRY-TYPE TRANSFORMER
 34.5 KV PRIMARY AND 0.48 KV SECONDARY

OUTLINE DRAWING

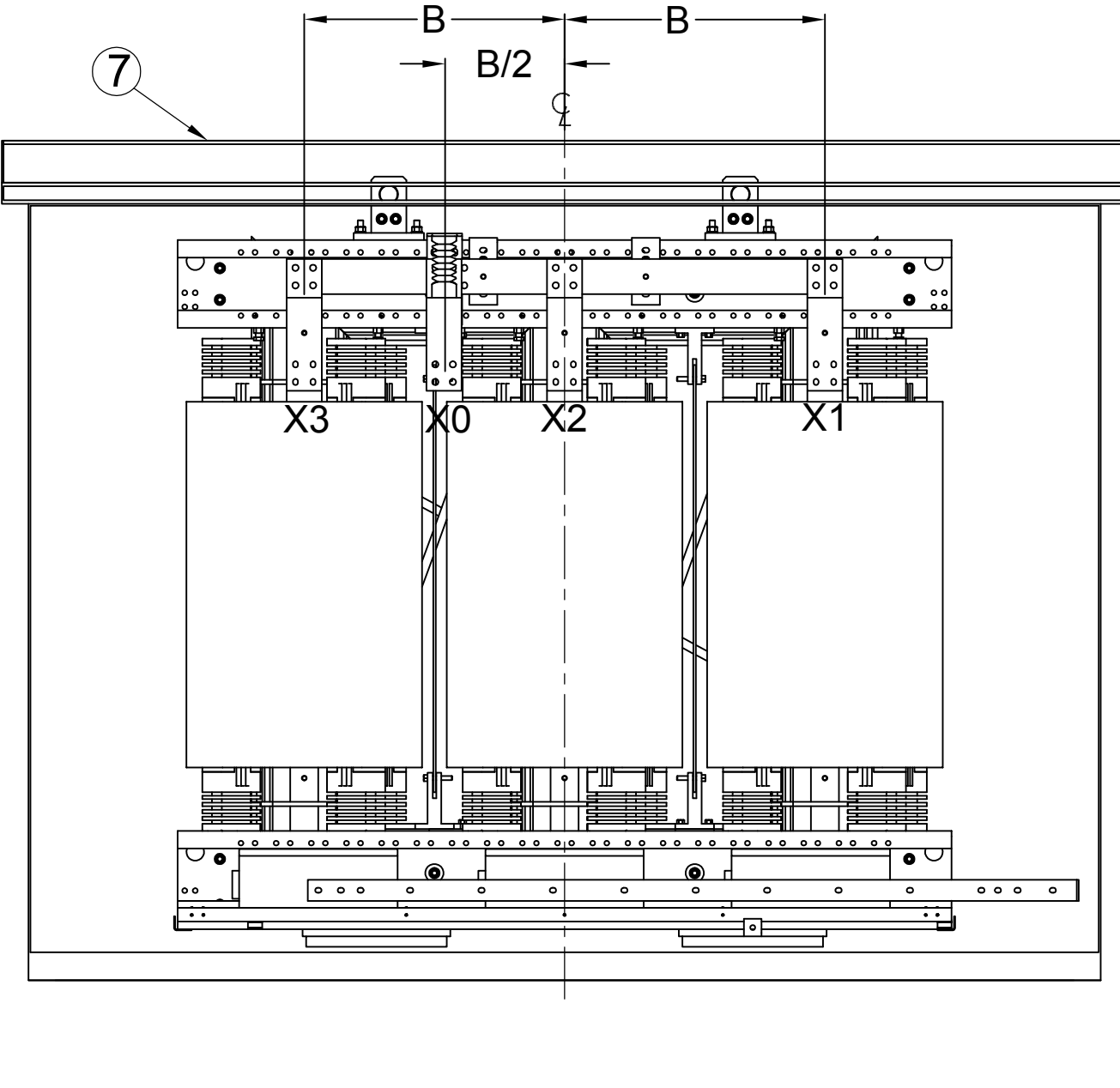
DWG NO: 34.5-0.48-NEMA 3R-CABLE		
SIGNATURES	DATE	SCALE: NONE
DRAWN: C.Zhang	Oct 25, 2017	REV.: A
CHECKED: R.Mao	Oct 25, 2017	SHEET: 2 of 3
APPROVED: P.Wan	Oct 25, 2017	



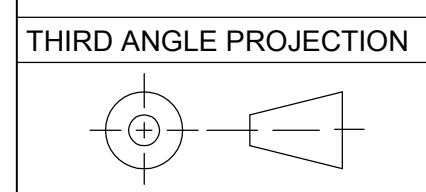
FRONT VIEW (HV TAPS)



RIGHT SIDE VIEW



REAR VIEW



SIZE DWG NO. 34.5-0.48-NEMA 3R-CABLE SHEET 2 REV. A

8

7

6

5

4

1

THIS DRAWING IS FOR REFERENCE ONLY,
JINPAN RESERVE THE RIGHT TO ADJUST
PARAMETER IF NECESSARY.

D

C

B

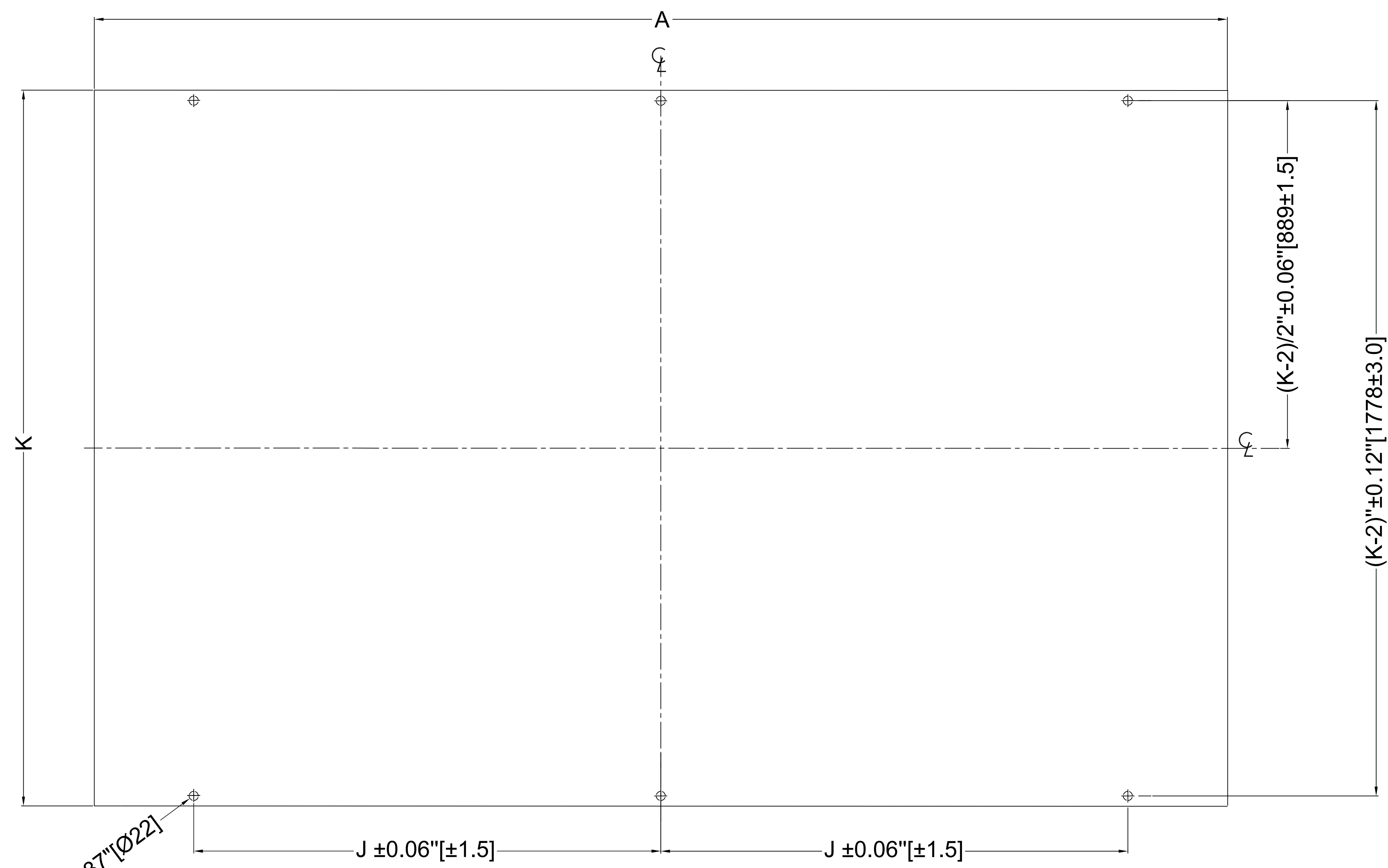
A

D

C

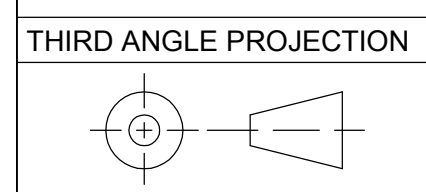
B

A



FRONT SIDE
FOUNDATION PLAN

MOUNTING HOLES 6-Ø0.87" [Ø22]



8

7

6

5

4

3

2

1

JINPAN INTERNATIONAL USA LIMITED		* 390 VETERANS BOULEVARD *	
		* CARLSTADT, NJ, 07072 *	
CAST COIL DRY-TYPE TRANSFORMER			
34.5 KV PRIMARY AND 0.48 KV SECONDARY			
OUTLINE DRAWING			
DWG NO:		34.5-0.48-NEMA 3R-CABLE	
SIGNATURES		DATE	SCALE:
DRAWN: C.Zhang	Oct 25, 2017	NONE	
CHECKED: R.Mao	Oct 25, 2017	REV.: A	
APPROVED: P.Wan	Oct 25, 2017	SHEET: 3 of 3	