

8

7

6

5

4

SIZE
D

DWG NO.

24.94-0.48-NEMA 1-BUSBAR

SH
1

REV.
A

1

NOTES:

0. APPLICABLE DOCUMENTS AND STANDARDS

A. IEEE Std C57.12.01, IEC 60076-11.

1. MECHANICAL:

A. CONSTRUCTION:

ENCLOSURE IS NEMA 1 INDOOR KNOCK DOWN TYPE WITH REMOVABLE PANELS MADE OF COLD-ROLLED STEEL SHEET ATTACHED TO A STEEL BASE FRAME, AND THE BASE IS FINISHED WITH SPRAYING BLACK PAINT.

COILS: FIBER REINFORCED VACUUM CAST EPOXY RESIN WITH COPPER WINDINGS.

CORE: STEP LAPPED SILICA STEEL LAMINATION (EQUAL TO M5) WITH BLACK EPOXY PAINT COATING .

BUS WORK: TIN PLATED COPPER.

B. FINISH:

ENCLOSURE IS ELECTRO-STATIC POWDER PAINT, ANSI 61.

C. THE JUNCTION BOX (NEMA 12) INCLUDES TERMINALS AND TERMINAL BOARDS, AND CABLE ENTERS FROM THE BOTTOM OF THE TERMINAL BOX.

2. ELECTRICAL:

A. TRANSFORMER RATING (SEE SHEET 2).

3. ENVIRONMENTAL:

A. OPERATING

INDOOR

TEMPERATURE: DESIGN AMBIENT TEMPERATURE IS 30°C(86°F) AVG / 40°C(104°F) MAX.

ALTITUDE: 1000M (3300FEET) MAX

B. STORAGE

TEMPERATURE: -25°C(-13°F) TO 50°C(122°F)

HUMIDITY: 0% TO 75%

4. MISCL:

A.  : CENTER OF GRAVITY.

B. ALL INDICATORS AND GAUGES ARE DIMENSIONED IN BOTH ENGLISH AND METRIC UNITS, UNLESS OTHERWISE SPECIFIED, DIMENSION TOLERANCE IS ±3%.

C. 54" SPACE REQUIRED AROUND THE ENCLOSURE FOR VENTILATION AND MAINTENANCE.

THIS DRAWING IS FOR REFERENCE ONLY,
JINPAN RESERVE THE RIGHT TO ADJUST
PARAMETER IF NECESSARY.

REVISIONS				
REV.	ZONE	DESCRIPTION	DATE	APPROVED
A		INITIAL ISSUE	Sep 29, 2017	P.Wan

D

D

C

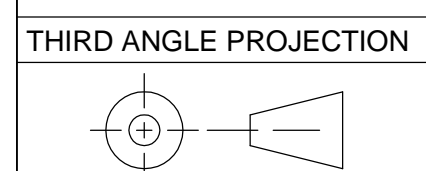
C

B

B

A

A



JINPAN INTERNATIONAL USA LIMITED		* 390 VETERANS BOULEVARD *	
		* CARLSTADT, NJ, 07072 *	
CAST COIL DRY-TYPE TRANSFORMER			
24.94 KV PRIMARY AND 0.48 KV SECONDARY			
OUTLINE DRAWING			
DWG NO: 24.94-0.48-NEMA 1-BUSBAR			
SIGNATURES		DATE	SCALE:
DRAWN: H.Su	Sep 29, 2017	SCALE: NONE	
CHECKED: R.Mao	Sep 29, 2017	REV.: A	
APPROVED: P.Wan	Sep 29, 2017	SHEET: 1 of 3	

8

7

6

5

4

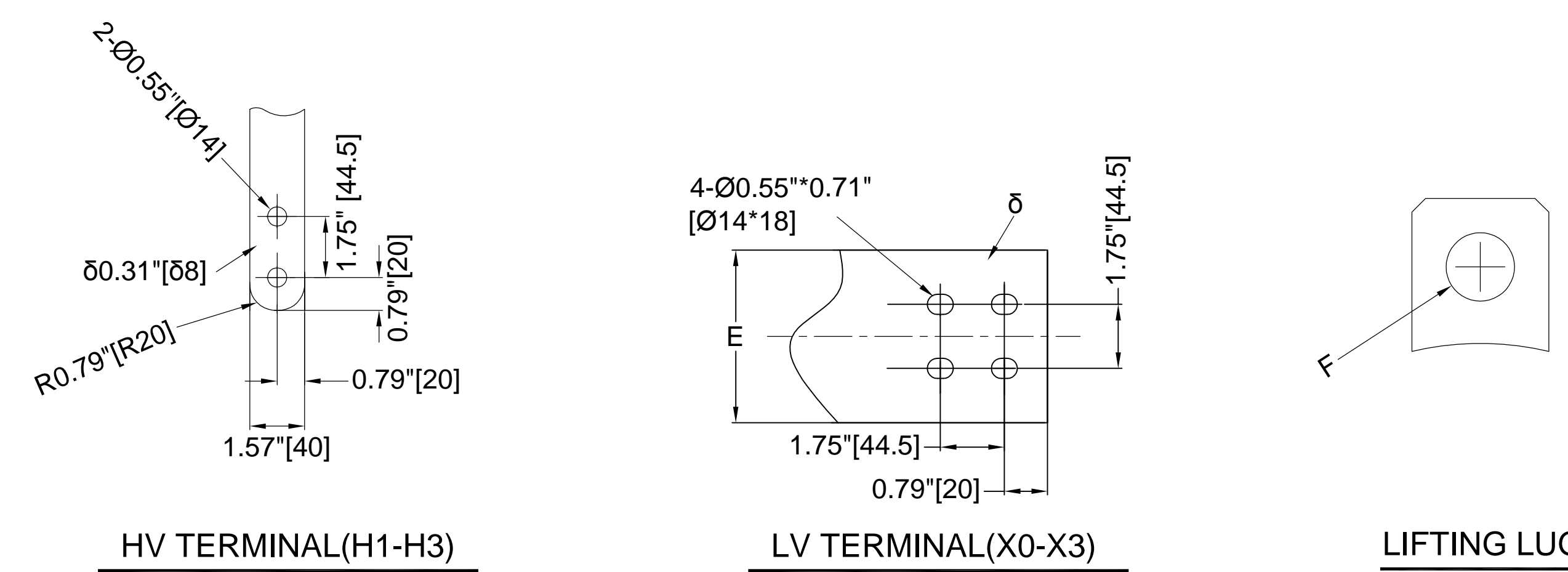
3

2

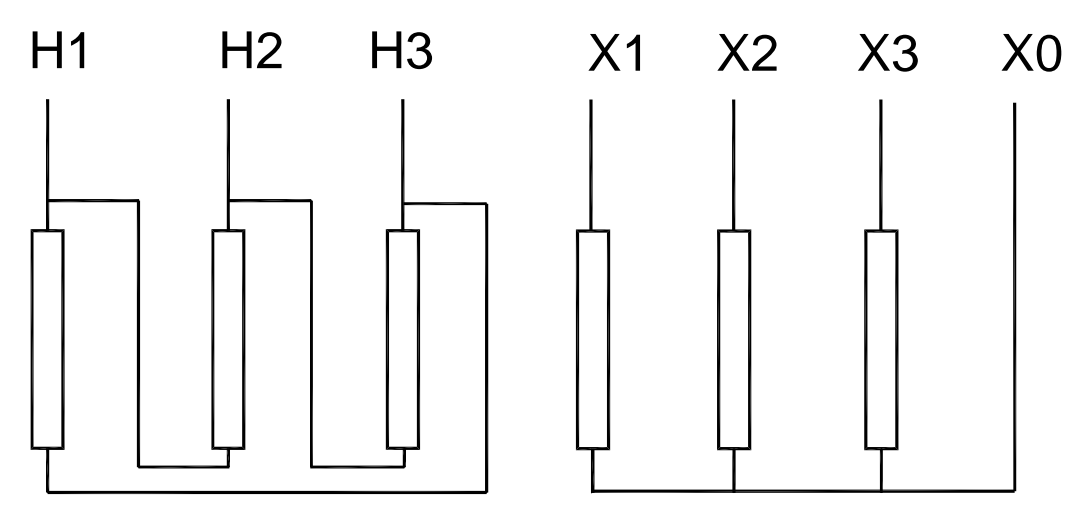
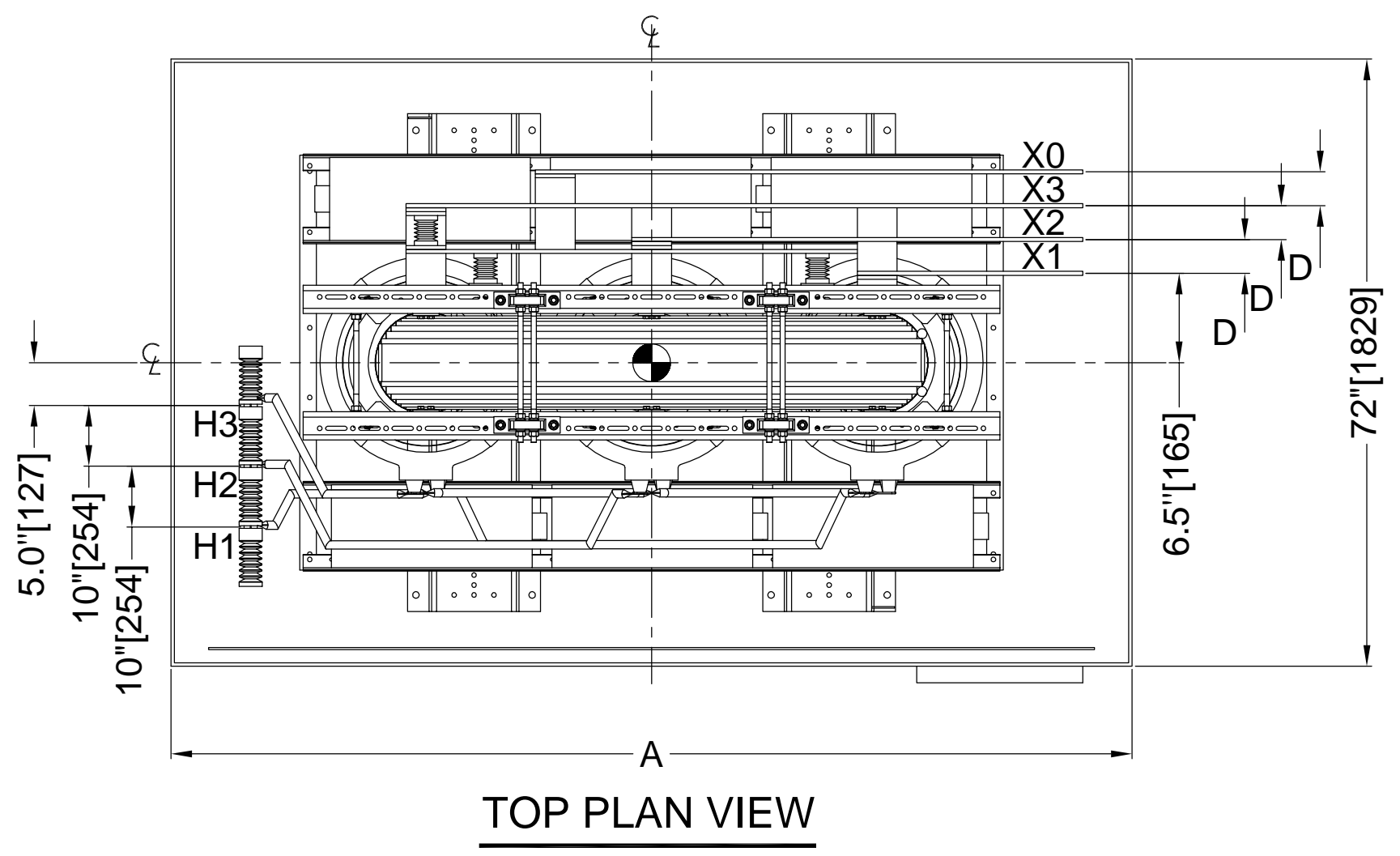
1

SIZE
D
DWG NO.
24.94-0.48-NEMA 1-BUSBAR
SH
1
REV.
A
TO
DIST

THIS DRAWING IS FOR REFERENCE ONLY,
JINPAN RESERVE THE RIGHT TO ADJUST
PARAMETER IF NECESSARY.

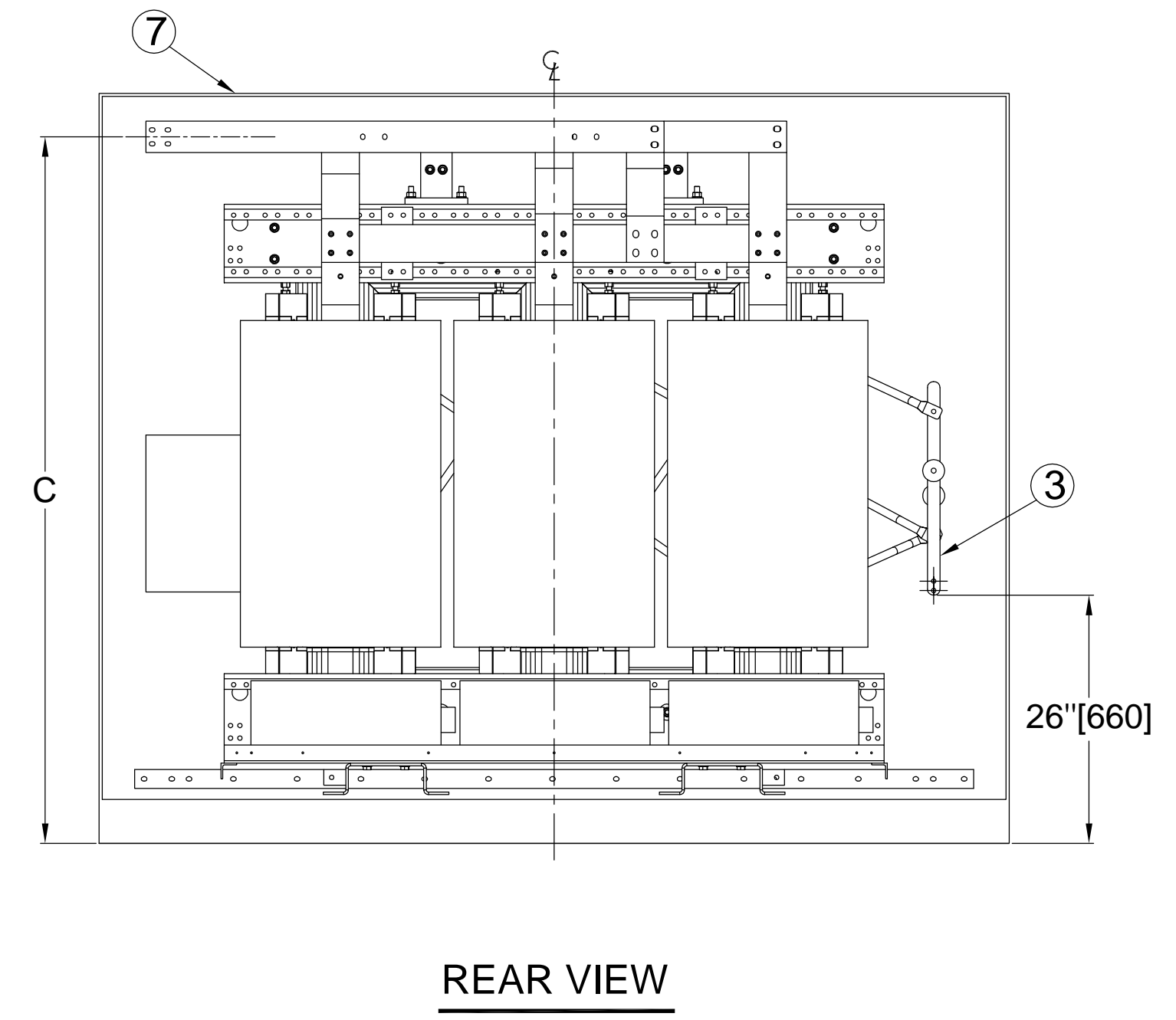
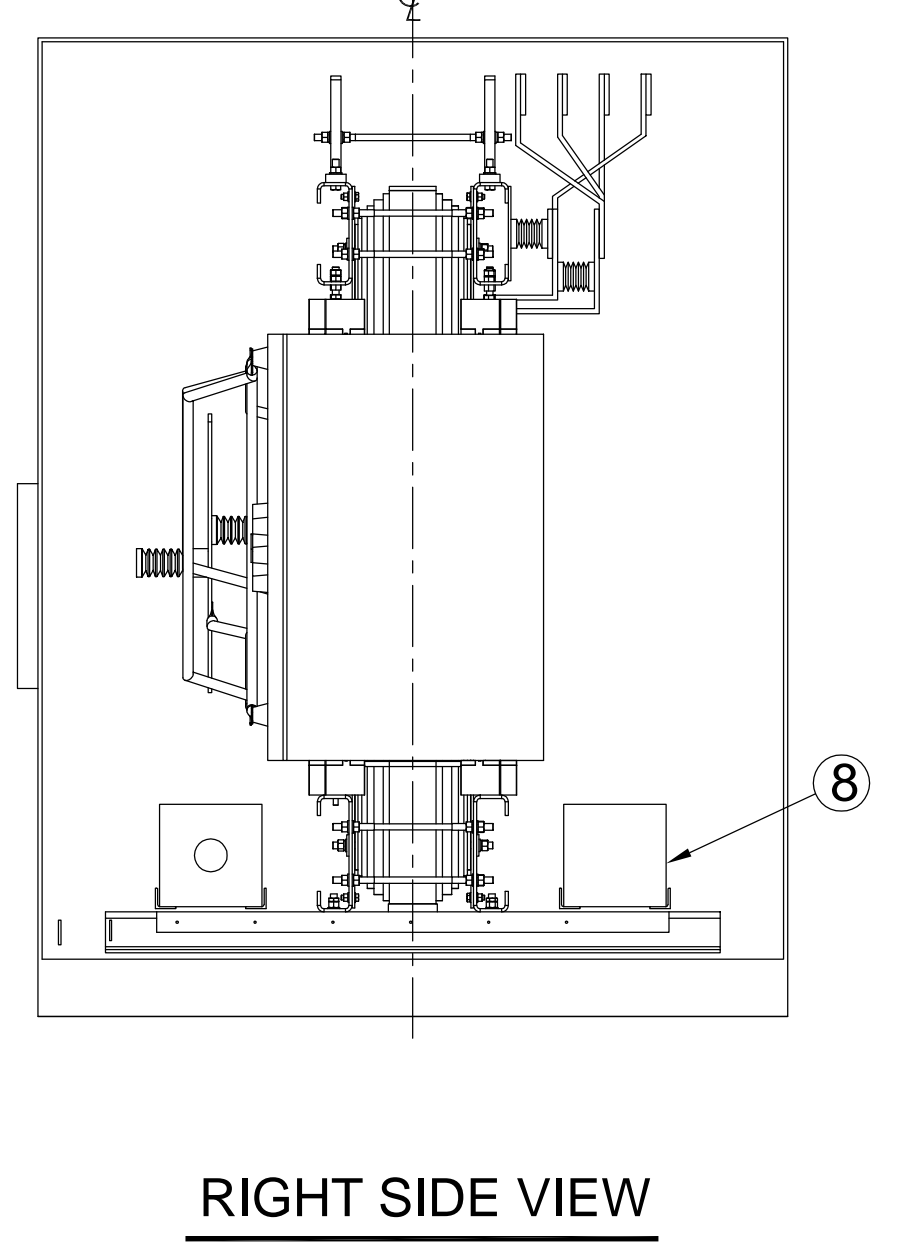
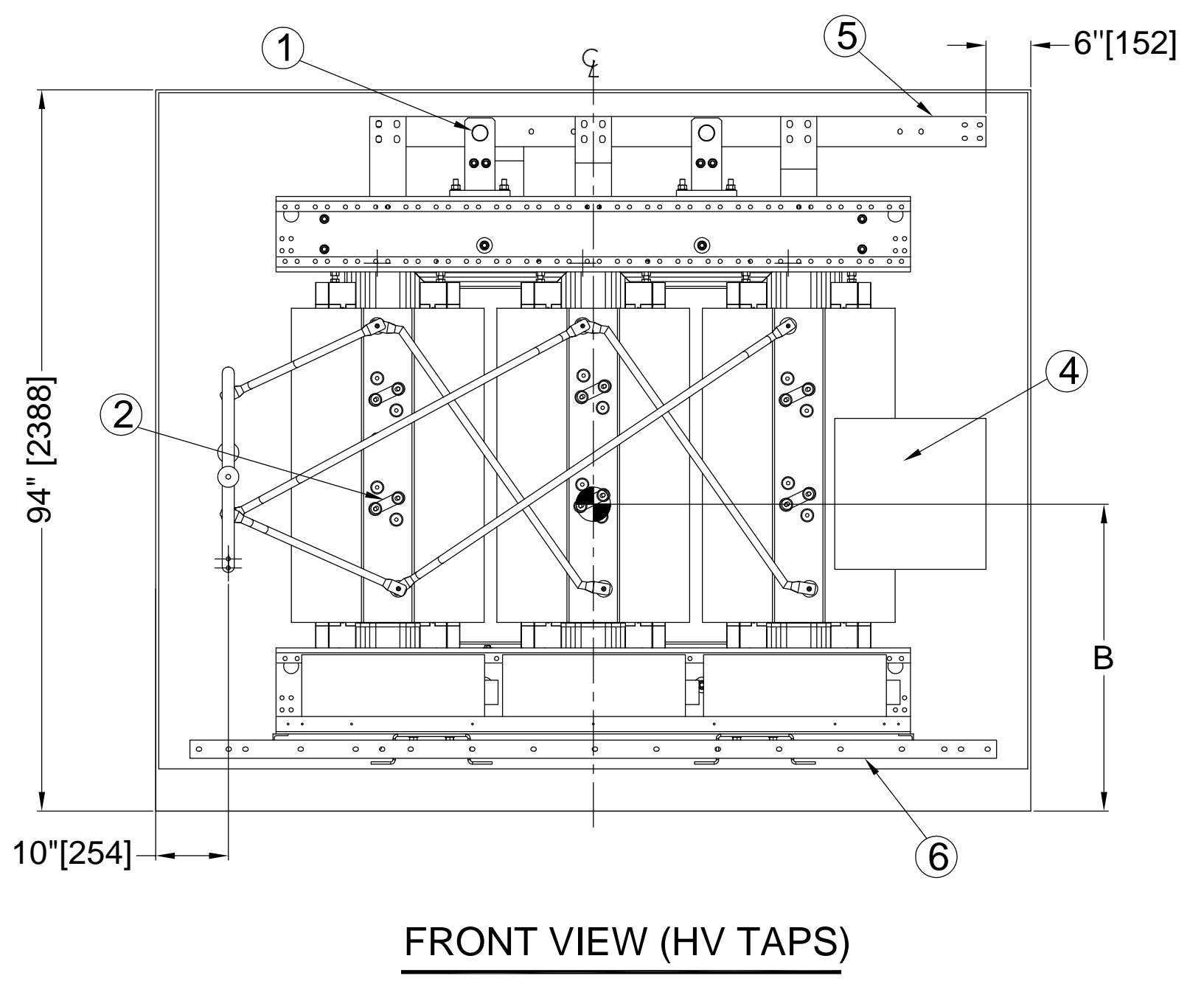


Rated (kVA)	Dimension(in/mm)								LBS/KG	
	A	B	C	D	E	F	δ	G	W1	W2
500/665	96"[2438]	39.7"[1008]	83"[2108]	3.78"[96]	3.15"[80]	Ø1.97"[Ø50]	0.24"[6]	38"[965]	6260/2840	8200/3720
1000/1330	96"[2438]	42.5"[1080]	83"[2108]	3.94"[100]	3.15"[80]	Ø1.97"[Ø50]	0.39"[10]	38"[965]	10650/4830	12590/5710
2000/2660	114"[2896]	47.5"[1206]	88"[2235]	4.02"[102]	5.91"[150]	Ø1.97"[Ø50]	0.47"[12]	47"[1194]	16430/7450	18610/8440
3000/3990	126"[3200]	49.5"[1257]	88"[2235]	4.13"[105]	5.91"[150]	Ø2.76"[Ø70]	0.59"[15]	53"[1346]	23850/10820	26210/11890



TAP	VOLTAGE	CONNECTIONS	FIGURE
A	26187	2 - 3,6 - 7	② ① ③ ④
B	25564	2 - 3,5 - 7	
C	24940	1 - 3,5 - 7	⑥ ⑤ ⑦ ⑧
D	24317	1 - 3,5 - 8	
E	23693	1 - 4,5 - 8	

ITEM	QTY.	DESCRIPTION	REFERENCE
8	6	COOLING FAN	
7	1	ENCLOSURE	
6	1	GROUND BUS	
5	4	LV TERMINAL	
4	1	JUNCTION BOX (JB)	
3	3	HV TERMINAL	
2	6	HV TAPS	
1	4	LIFTING LUG	



STANDARD: IEEE Std C57.12.01, IEC 60076-11

KVA: Rated	COOLING CLASS: AA / FA
HV. 24940 V D	B.I.L. 125 kV 50 kV AC
LV. 480 V Y	B.I.L. 30 kV 4 kV AC

PHASE: 3 FREQUENCY: 60 Hz

INSULATION SYSTEM: 185°C(365°F) TEMPERATURE RISE: 80°C(176°F)

HV TAPS: ±5%, 2.5% EACH STEP

CONNECTION: Dyn1

IMPEDANCE: 5.75% based on Rated kVA (Tolerance: +/-7.5%)

APPROX. WEIGHT	TRANSFORMER: W1
	TRANSFORMER WITH ENCLOSURE: W2

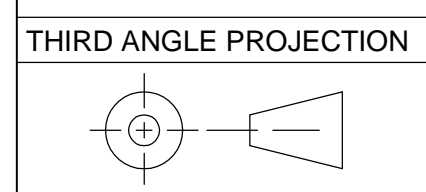
JINPAN INTERNATIONAL USA LIMITED
 390 VETERANS BOULEVARD *
 CARLSTADT, NJ, 07072 *

CAST COIL DRY-TYPE TRANSFORMER
 24.94 KV PRIMARY AND 0.48 KV SECONDARY

OUTLINE DRAWING

DWG NO: 24.94-0.48-NEMA 1-BUSBAR

SIGNATURES	DATE	SCALE:
DRAWN: H.Su	Sep 29, 2017	NONE
CHECKED: R.Mao	Sep 29, 2017	REV.: A
APPROVED: P.Wan	Sep 29, 2017	SHEET: 2 of 3



SIZE DWG NO. 24.94-0.48-NEMA 1-BUSBAR SHEET 2 REV. A

8

7

6

5

4

1

THIS DRAWING IS FOR REFERENCE ONLY,
JINPAN RESERVE THE RIGHT TO ADJUST
PARAMETER IF NECESSARY.

D

D

C

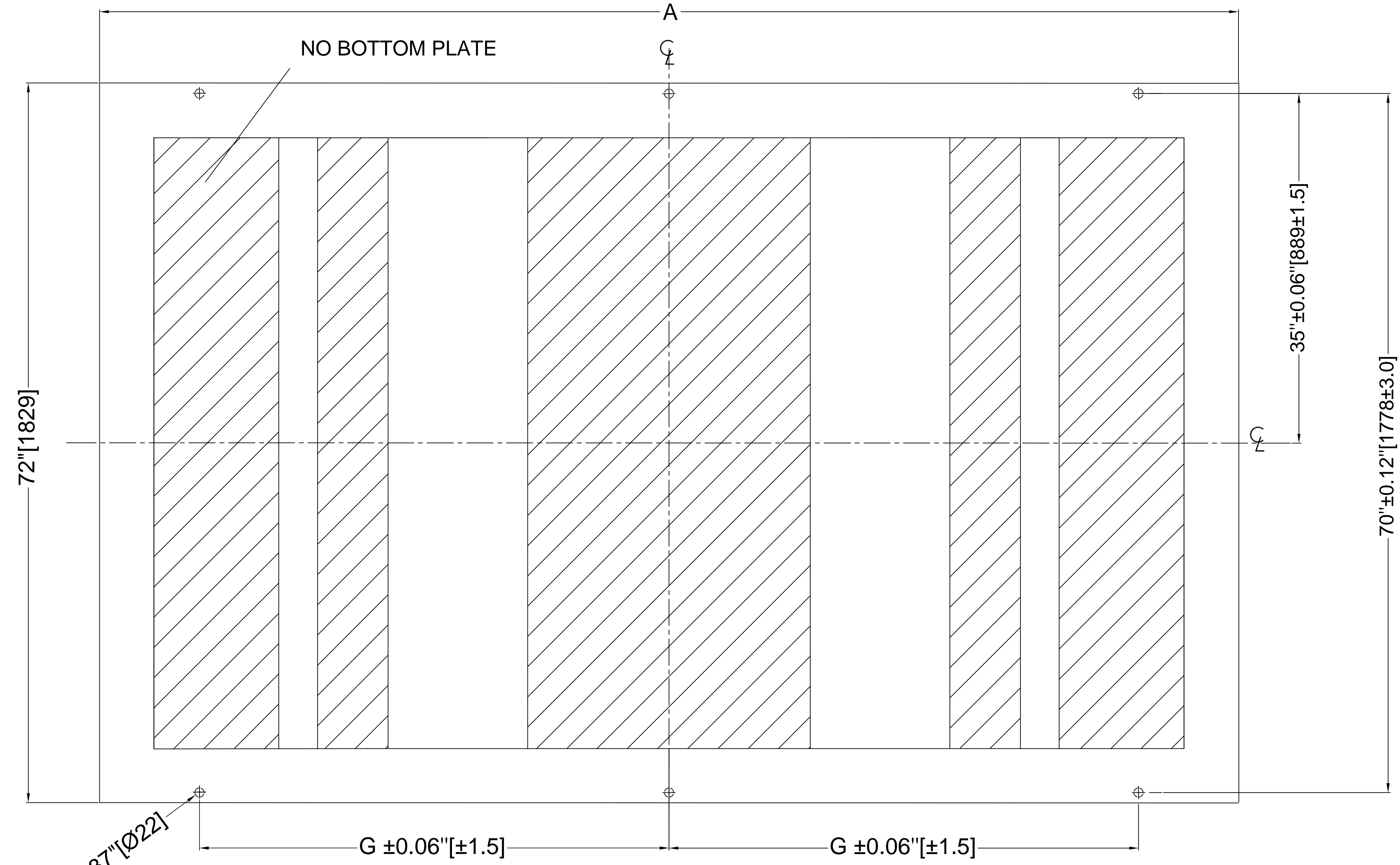
C

B

B

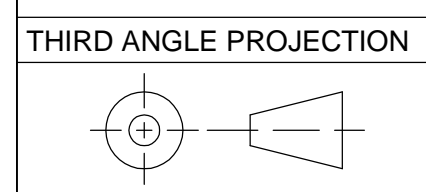
A

A



MOUNTING HOLES 6-Ø0.87"[Ø22]

FRONT SIDE
FOUNDATION PLAN



8

7

6

5

4

3

2

1

JINPAN INTERNATIONAL USA LIMITED		* 390 VETERANS BOULEVARD *	
		* CARLSTADT, NJ, 07072 *	
CAST COIL DRY-TYPE TRANSFORMER			
24.94 KV PRIMARY AND 0.48 KV SECONDARY			
OUTLINE DRAWING			
DWG NO:		24.94-0.48-NEMA 1-BUSBAR	
SIGNATURES		DATE	
DRAWN: H.Su	Sep 29, 2017	SCALE:	NONE
CHECKED: R.Mao	Sep 29, 2017	REV.:	A
APPROVED: P.Wan	Sep 29, 2017	SHEET:	3 of 3