

8

7

6

5

4

SIZE
D

DWG NO.

24.94-0.208-NEMA 1-CABLE

SH
1

REV.
A

1

NOTES:

0. APPLICABLE DOCUMENTS AND STANDARDS

A. IEEE Std C57.12.01, IEC 60076-11.

1. MECHANICAL:

A. CONSTRUCTION:

ENCLOSURE IS NEMA 1 INDOOR KNOCK DOWN TYPE WITH REMOVABLE PANELS MADE OF COLD-ROLLED STEEL SHEET ATTACHED TO A STEEL BASE FRAME, AND THE BASE IS FINISHED WITH SPRAYING BLACK PAINT.

COILS: FIBER REINFORCED VACUUM CAST EPOXY RESIN WITH COPPER WINDINGS.

CORE: STEP LAPPED SILICA STEEL LAMINATION (EQUAL TO M5) WITH BLACK EPOXY PAINT COATING .

BUS WORK: TIN PLATED COPPER.

B. FINISH:

ENCLOSURE IS ELECTRO-STATIC POWDER PAINT, ANSI 61.

C. THE JUNCTION BOX (NEMA 12) INCLUDES TERMINALS AND TERMINAL BOARDS, AND CABLE ENTERS FROM THE BOTTOM OF THE TERMINAL BOX.

2. ELECTRICAL:

A. TRANSFORMER RATING (SEE SHEET 2).

3. ENVIRONMENTAL:

A. OPERATING

INDOOR

TEMPERATURE: DESIGN AMBIENT TEMPERATURE IS 30°C(86°F) AVG / 40°C(104°F) MAX.

ALTITUDE: 1000M (3300FEET) MAX

B. STORAGE

TEMPERATURE: -25°C(-13°F) TO 50°C(122°F)

HUMIDITY: 0% TO 75%

4. MISCL:

A.  : CENTER OF GRAVITY.

B. ALL INDICATORS AND GAUGES ARE DIMENSIONED IN BOTH ENGLISH AND METRIC UNITS, UNLESS OTHERWISE SPECIFIED, DIMENSION TOLERANCE IS ±3%.

C. 54" SPACE REQUIRED AROUND THE ENCLOSURE FOR VENTILATION AND MAINTENANCE.

THIS DRAWING IS FOR REFERENCE ONLY,
JINPAN RESERVE THE RIGHT TO ADJUST
PARAMETER IF NECESSARY.

REVISIONS				
REV.	ZONE	DESCRIPTION	DATE	APPROVED
A		INITIAL ISSUE	Sep 29, 2017	P.Wan

D

D

C

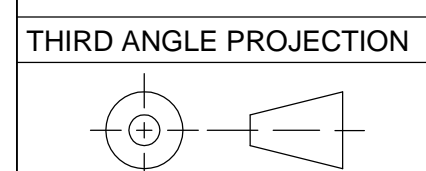
C

B

B

A

A



8

7

6

5

4

3

2

1

JINPAN INTERNATIONAL USA LIMITED		* 390 VETERANS BOULEVARD *	
		* CARLSTADT, NJ, 07072 *	
CAST COIL DRY-TYPE TRANSFORMER			
24.94 KV PRIMARY AND 0.208 KV SECONDARY			
OUTLINE DRAWING			
DWG NO: 24.94-0.208-NEMA 1-CABLE			
SIGNATURES		DATE	SCALE:
DRAWN: Y.Wang	Sep 29, 2017	NONE	
CHECKED: R.Mao	Sep 29, 2017	REV.: A	
APPROVED: P.Wan	Sep 29, 2017	SHEET: 1 of 3	

SIZE
D

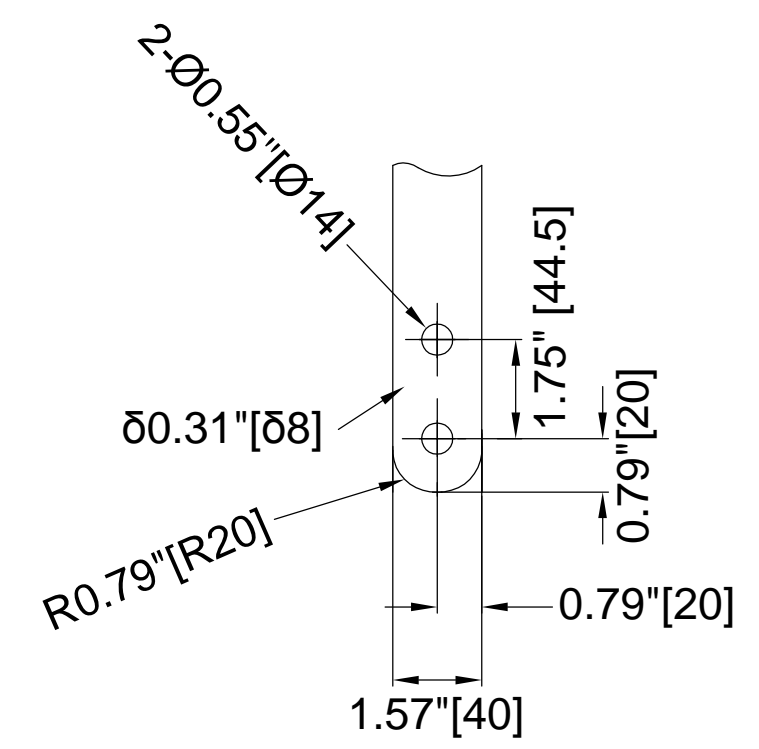
DWG NO.
24.94-0.208-NEMA 1-CABLE

SH
1

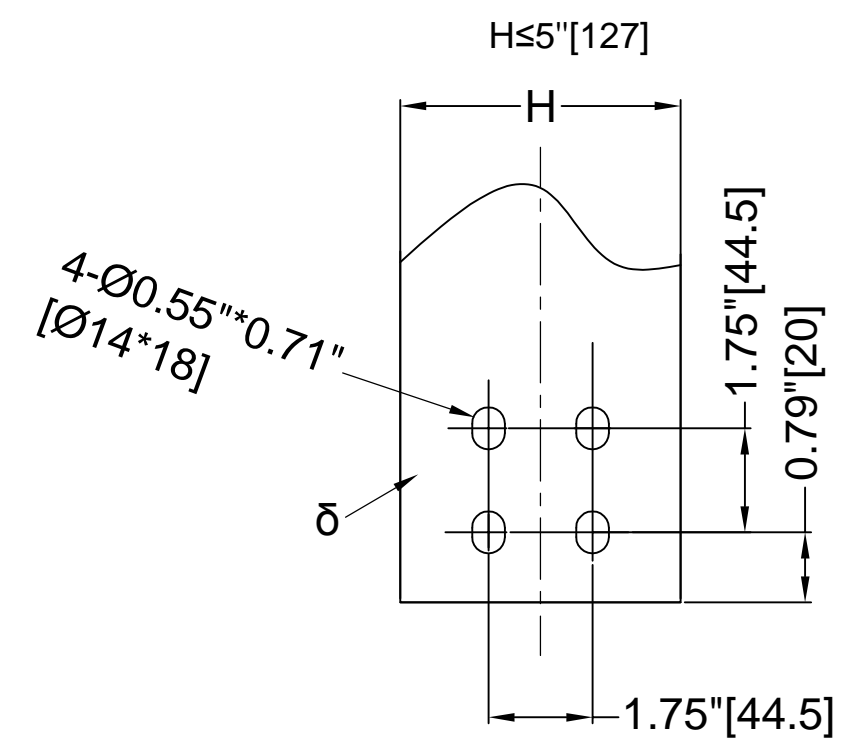
REV.
A

TO
DIST

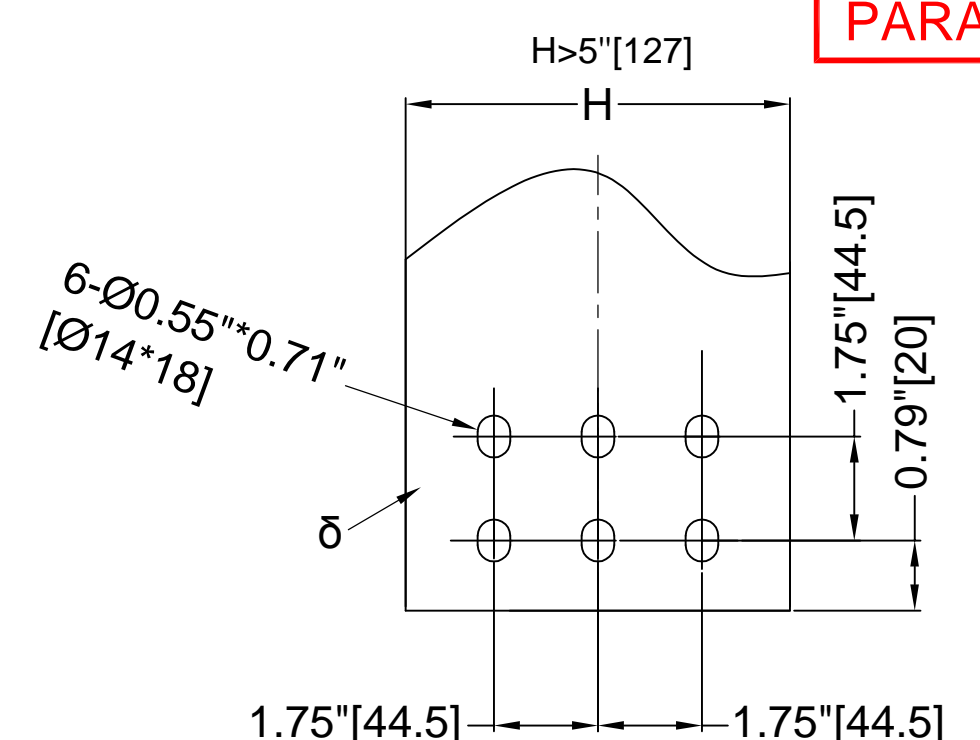
THIS DRAWING IS FOR REFERENCE ONLY, JINPAN RESERVE THE RIGHT TO ADJUST PARAMETER IF NECESSARY.



HV TERMINAL(H1-H3)

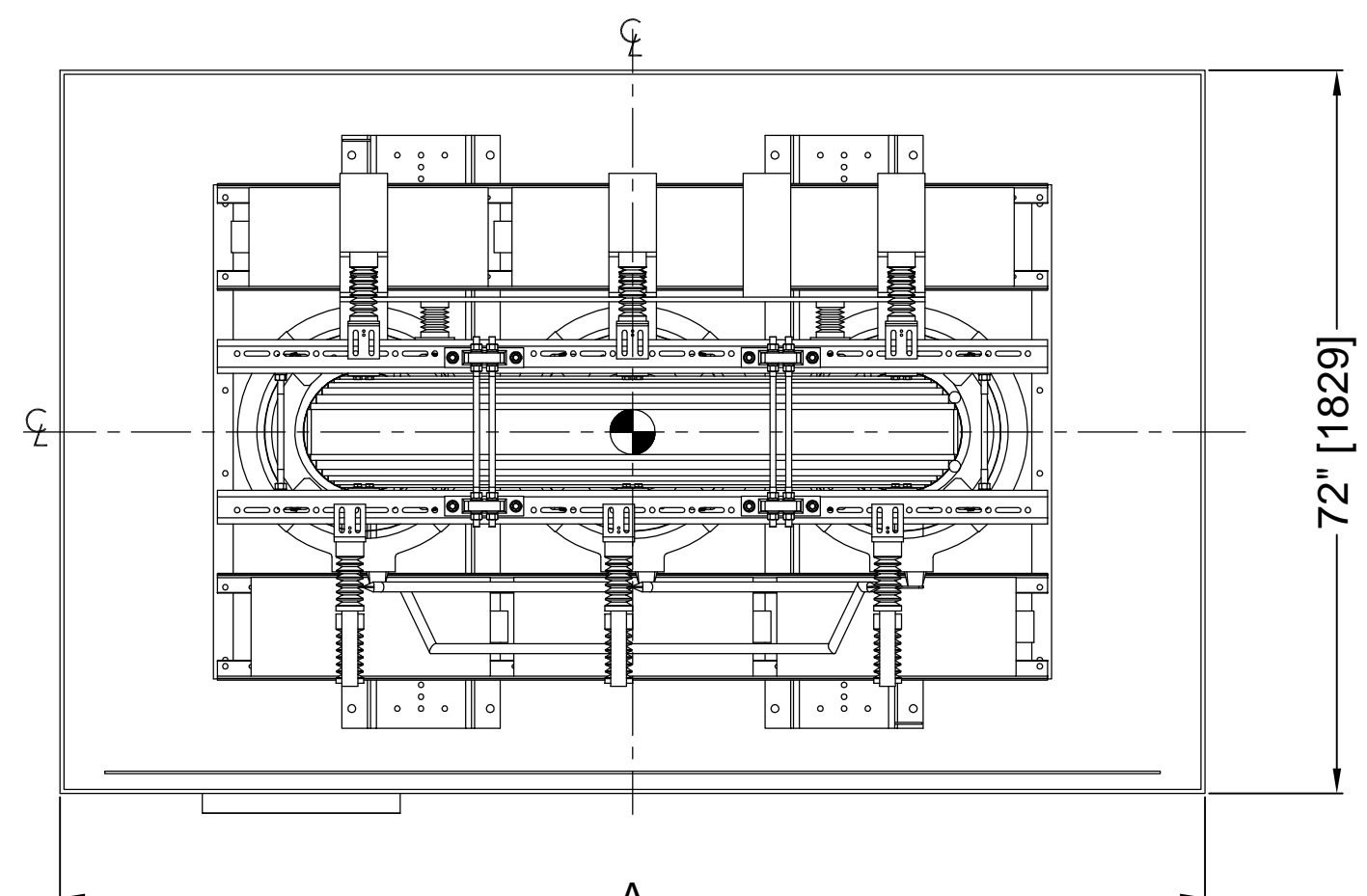


LV TERMINAL(X0-X3)

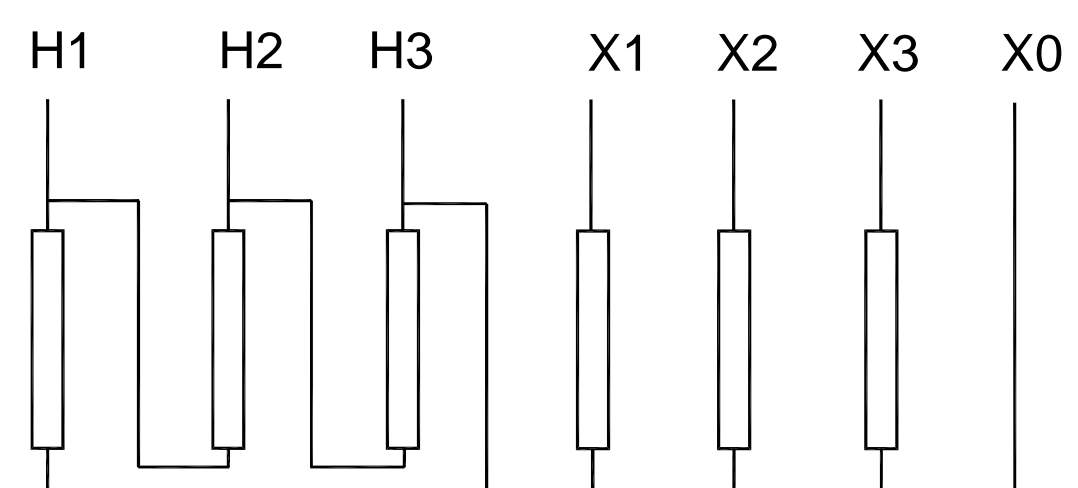


LIFTING LUG

Rated (kVA)	Dimension(in/mm)											LBS/KG	
	A	B	C	D	E	F	G	H	δ	I	J	W1	W2
500/665	96 [2438]	21.3 [540]	40 [1016]	67 [1702]	64 [1626]	23 [584]	22.3 [566]	3.94 [100]	0.39 [10]	Ø1.97 [Ø50]	38 [965]	5755/2610	7695/3490
1000/1330	114 [2896]	26 [660]	42 [1067]	71 [1803]	68 [1727]	25 [625]	24.3 [617]	5.91 [150]	0.47 [12]	Ø1.97 [Ø50]	47 [1194]	10835/4915	13030/5910
1500/1995	114 [2896]	26.4 [670]	43 [1092]	71 [1803]	68 [1727]	26 [660]	25.3 [643]	7.1 [180]	0.59 [15]	Ø1.97 [Ø50]	47 [1194]	11885/5390	14075/6385



TOP PLAN VIEW



TAP	VOLTAGE	CONNECTIONS	FIGURE
A	26187	2 - 3,6 - 7	
B	25564	2 - 3,5 - 7	
C	24940	1 - 3,5 - 7	
D	24317	1 - 3,5 - 8	
E	23693	1 - 4,5 - 8	

ITEM	QTY.	DESCRIPTION	REFERENCE
8	6	COOLING FAN	
7	1	ENCLOSURE	
6	1	GROUND BUS	
5	4	LV TERMINAL	
4	1	JUNCTION BOX (JB)	
3	3	HV TERMINAL	
2	6	HV TAPS	
1	4	LIFTING LUG	

STANDARD: IEEE Std C57.12.01, IEC 60076-11	
KVA: Rated	COOLING CLASS: AA/FA
HV. 24940 V D	B.I.L. 125 kV 50 kv AC
LV. 208 V Y	B.I.L. 30 kV 4 kv AC
PHASE: 3	FREQUENCY: 60 Hz
INSULATION SYSTEM: 185°C(365°F)	TEMPERATURE RISE: 80°C(176°F)
HV TAPS:	±5%, 2.5% EACH STEP
CONNECTION:	Dyn1
IMPEDANCE:	5.75% based on Rated kVA (Tolerance: +/-7.5%)
APPROX. WEIGHT	TRANSFORMER: W1
	TRANSFORMER WITH ENCLOSURE: W2

JINPAN INTERNATIONAL USA LIMITED
 * 390 VETERANS BOULEVARD *
 * CARLSTADT, NJ, 07072 *
 CAST COIL DRY-TYPE TRANSFORMER
 24.94 KV PRIMARY AND 0.208 KV SECONDARY

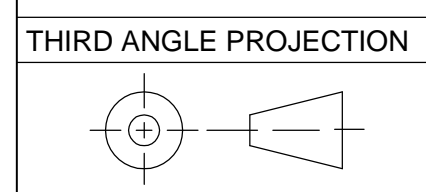
DWG NO: 24.94-0.208-NEMA 1-CABLE		
SIGNATURES	DATE	SCALE: NONE
DRAWN: Y.Wang	Sep 29, 2017	REV.: A
CHECKED: R.Mao	Sep 29, 2017	SHEET: 2 of 3
APPROVED: P.Wan	Sep 29, 2017	

D

C

B

A



D

C

B

A

SIZE DWG NO. 24.94-0.208-NEMA 1-CABLE

SHEET NO. 2

REV. A

DISTR TO

8

7

6

5

4

1

THIS DRAWING IS FOR REFERENCE ONLY,
JINPAN RESERVE THE RIGHT TO ADJUST
PARAMETER IF NECESSARY.

D

D

C

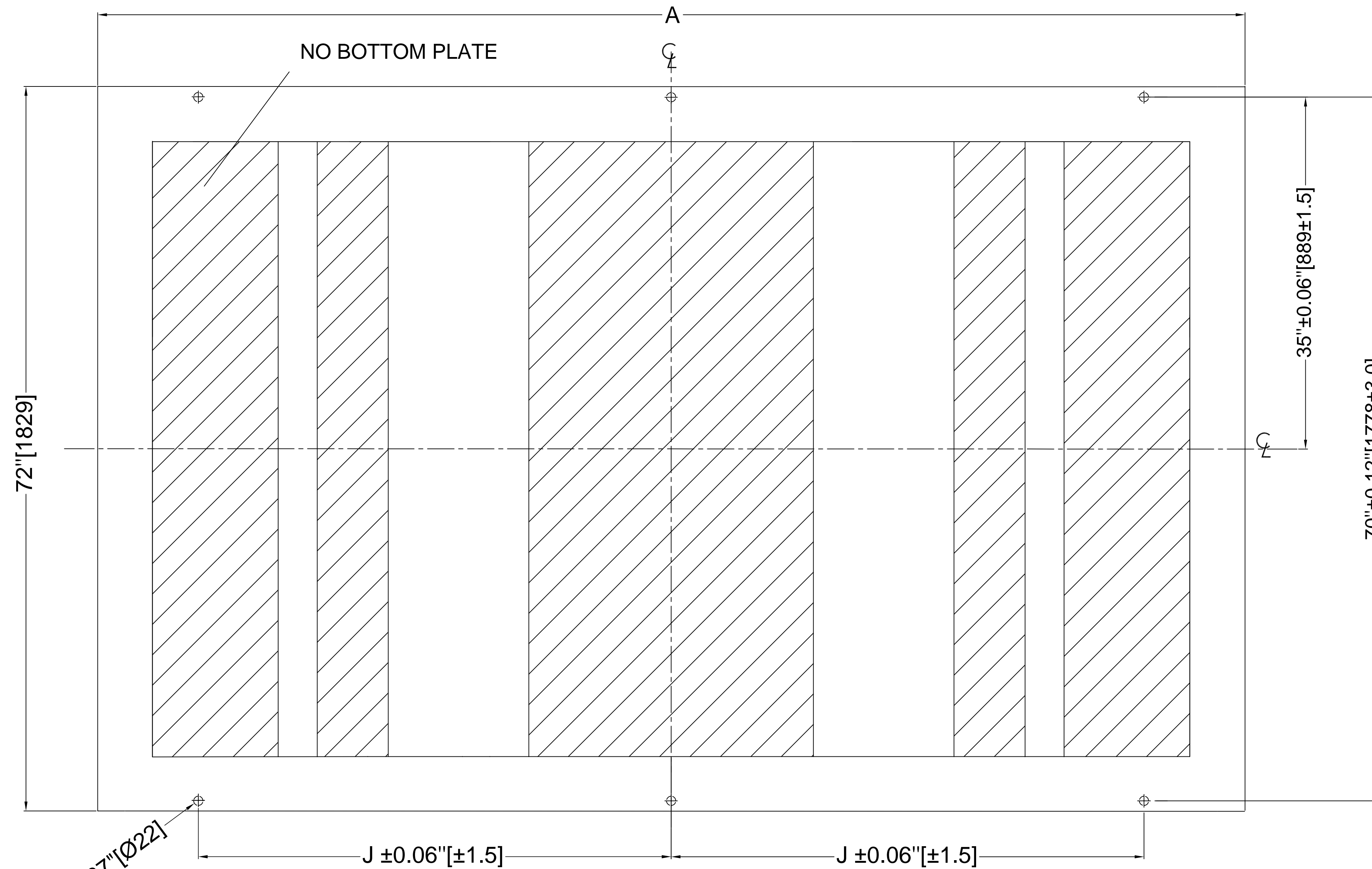
C

B

B

A

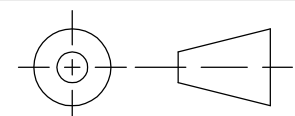
A



MOUNTING HOLES 6-Ø0.87" [Ø22]

FRONT SIDE
FOUNDATION PLAN

THIRD ANGLE PROJECTION



8

7

6

5

4

3

2

1



JINPAN INTERNATIONAL USA LIMITED		* 390 VETERANS BOULEVARD *	
		* CARLSTADT, NJ, 07072 *	
CAST COIL DRY-TYPE TRANSFORMER			
24.94 KV PRIMARY AND 0.208 KV SECONDARY			
OUTLINE DRAWING			
DWG NO: 24.94-0.208-NEMA 1-CABLE			
SIGNATURES		DATE	
DRAWN: Y.Wang		Sep 29, 2017	SCALE: NONE
CHECKED: R.Mao		Sep 29, 2017	REV.: A
APPROVED: P.Wan		Sep 29, 2017	SHEET: 3 of 3

SIZE
DWG NO.

24.94-0.208-NEMA 1-CABLE

SH
REV.

DISTR
TO