

8

7

6

5

4

SIZE
D

DWG NO.

4.16-0.208-NEMA 3R-BUSBAR

SH
1

REV.
A

1

NOTES:

0. APPLICABLE DOCUMENTS AND STANDARDS

A. IEEE Std C57.12.01, IEC 60076-11.

1. MECHANICAL:

A. CONSTRUCTION:

ENCLOSURE IS NEMA 3R OUTDOOR KNOCK DOWN TYPE WITH REMOVABLE PANELS MADE OF COLD-ROLLED STEEL SHEET ATTACHED TO A STEEL BASE FRAME, AND THE BASE IS FINISHED WITH SPRAYING BLACK PAINT.

COILS: FIBER REINFORCED VACUUM CAST EPOXY RESIN WITH COPPER WINDINGS.

CORE: STEP LAPPED SILICA STEEL LAMINATION (EQUAL TO M5) WITH BLACK EPOXY PAINT COATING .

BUS WORK: TIN PLATED COPPER.

B. FINISH:

ENCLOSURE IS ELECTRO-STATIC POWDER PAINT, ANSI 61.

C. THE JUNCTION BOX (NEMA 4X) INCLUDES TERMINALS AND TERMINAL BOARDS, AND CABLE ENTERS FROM THE BOTTOM OF THE TERMINAL BOX.

2. ELECTRICAL:

A. TRANSFORMER RATING (SEE SHEET 2).

3. ENVIRONMENTAL:

A. OPERATING

OUTDOOR

TEMPERATURE: DESIGN AMBIENT TEMPERATURE IS 30°C(86°F) AVG / 40°C(104°F) MAX.

ALTITUDE: 1000M (3300FEET) MAX

B. STORAGE

TEMPERATURE: -25°C(-13°F) TO 50°C(122°F)

HUMIDITY: 0% TO 75%

4. MISCL:

A.  : CENTER OF GRAVITY.

B. ALL INDICATORS AND GAUGES ARE DIMENSIONED IN BOTH ENGLISH AND METRIC UNITS, UNLESS OTHERWISE SPECIFIED, DIMENSION TOLERANCE IS ±3%.

C. 54" SPACE REQUIRED AROUND THE ENCLOSURE FOR VENTILATION AND MAINTENANCE.

THIS DRAWING IS FOR REFERENCE ONLY,
JINPAN RESERVE THE RIGHT TO ADJUST
PARAMETER IF NECESSARY.

| REVISIONS | | | | |
|-----------|------|---------------|--------------|----------|
| REV. | ZONE | DESCRIPTION | DATE | APPROVED |
| A | | INITIAL ISSUE | Sep 22, 2017 | S.Yang |

D

D

C

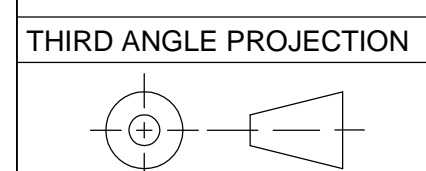
C

B

B

A

A



8

7

6

5

4

3

2

1

| | | | |
|--|--------------|----------------------------|--------|
| JINPAN INTERNATIONAL USA LIMITED | | * 390 VETERANS BOULEVARD * | |
| | | * CARLSTADT, NJ, 07072 * | |
| CAST COIL DRY-TYPE TRANSFORMER | | | |
| 4.16 KV PRIMARY AND 0.208 KV SECONDARY | | | |
| OUTLINE DRAWING | | | |
| DWG NO: 4.16-0.208-NEMA 3R-BUSBAR | | | |
| SIGNATURES | | DATE | SCALE: |
| DRAWN: R.Wang | Sep 22, 2017 | SCALE: NONE | |
| CHECKED: F.Chen | Sep 22, 2017 | REV.: A | |
| APPROVED: S.Yang | Sep 22, 2017 | SHEET: 1 of 3 | |

SIZE
D

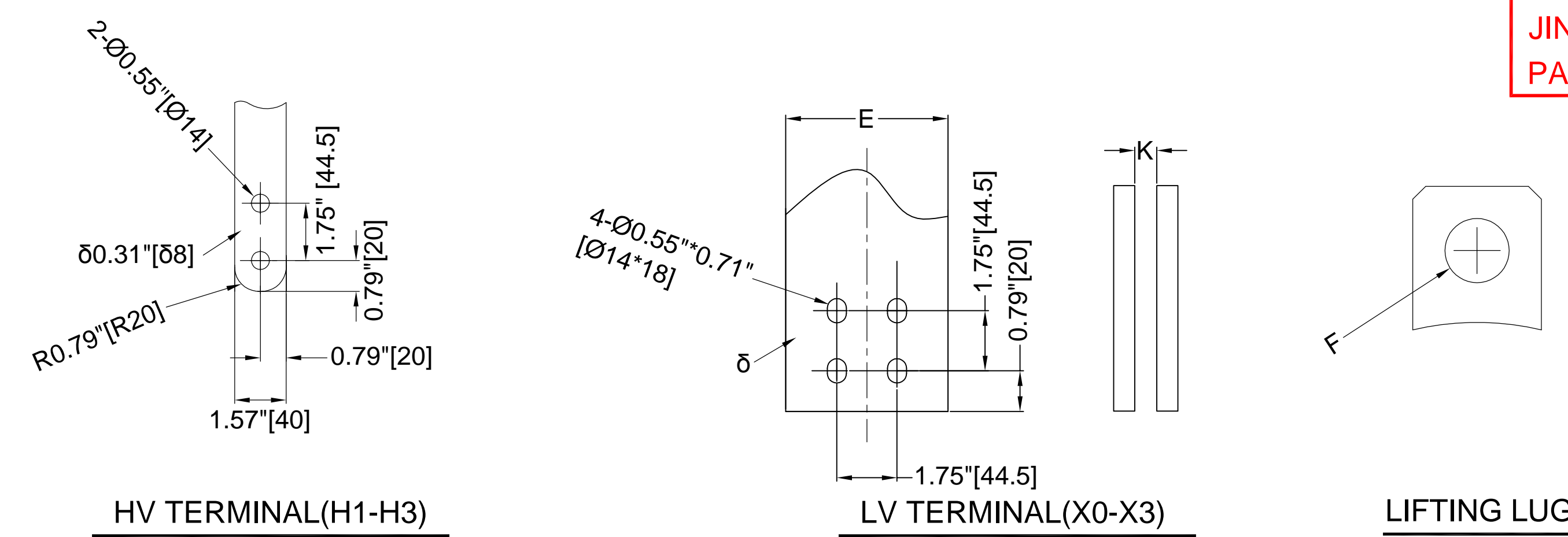
DWG NO.
4.16-0.208-NEMA 3R-BUSBAR

SH
1

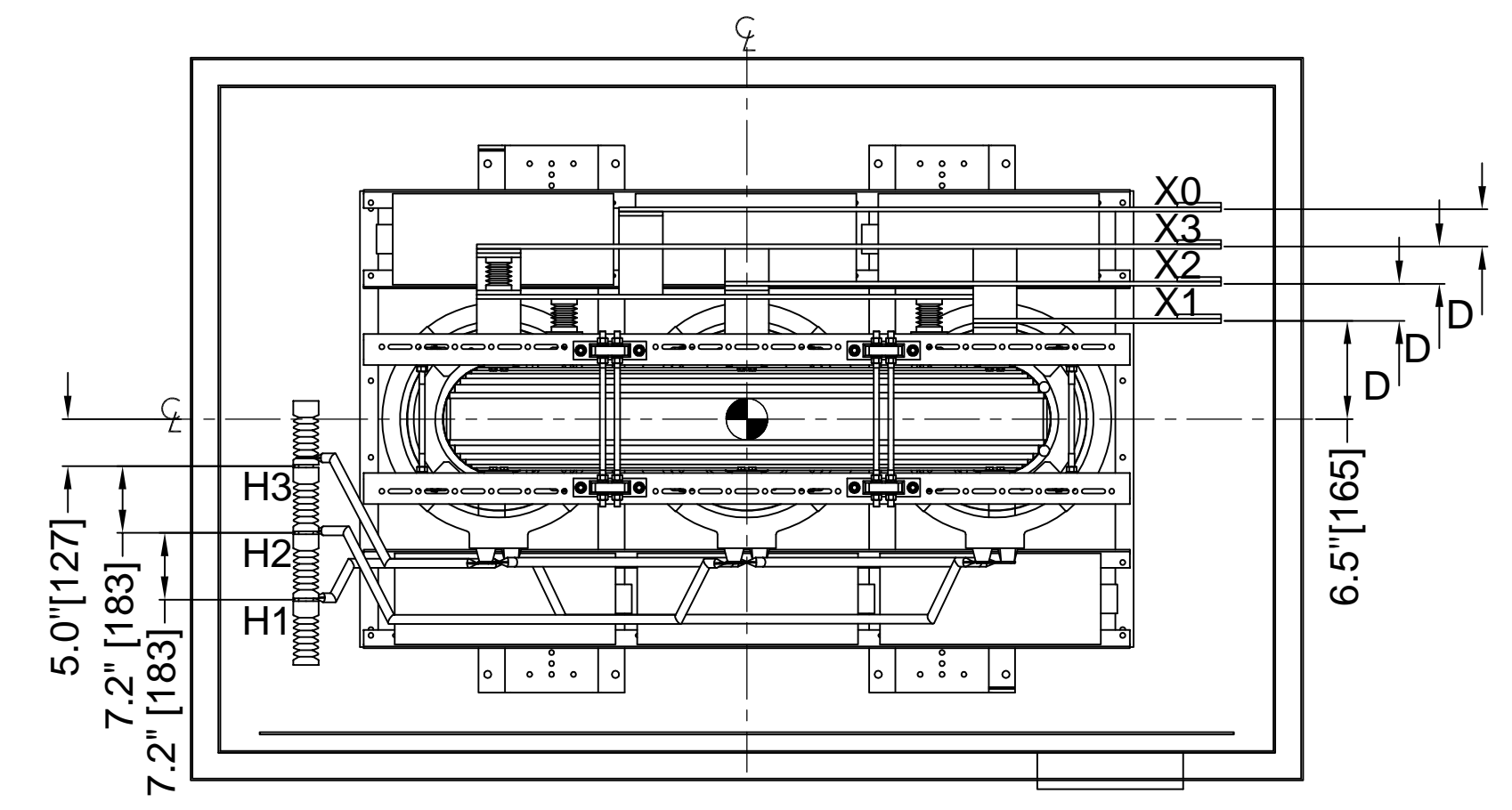
REV.
A

DISTR
TO

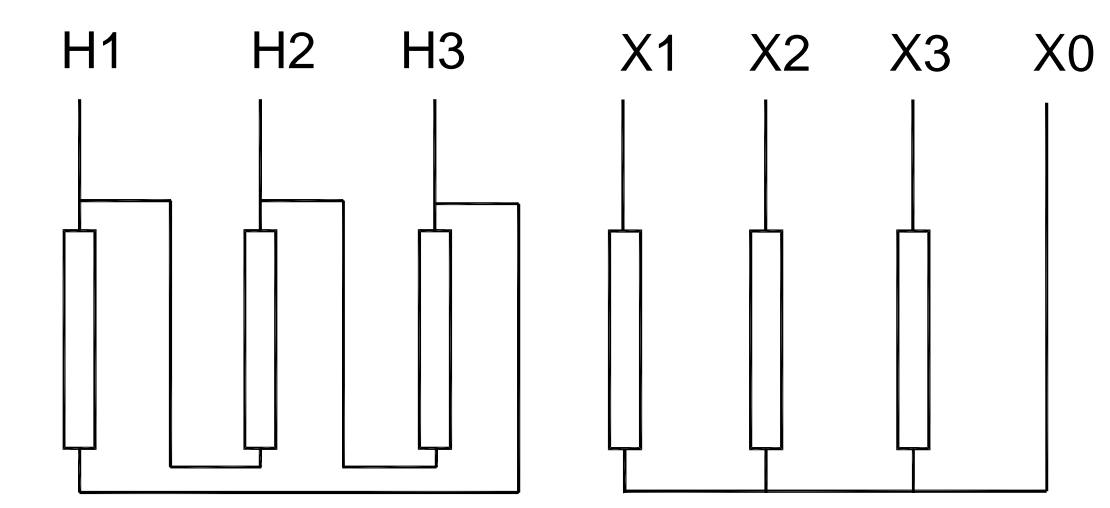
THIS DRAWING IS FOR REFERENCE ONLY,
JINPAN RESERVE THE RIGHT TO ADJUST
PARAMETER IF NECESSARY.



| Rated (kVA) | Dimension(in/mm) | | | | | | | | | | LBS/KG | |
|-------------|------------------|-----------|-----------|------------|------------|--------------|-------------|-----------|-----------|------------|------------|--|
| | A | B | C | D | E | δ | F | G | K | W1 | W2 | |
| 500/665 | 96"[2438] | 33"[838] | 65"[1651] | 3.94"[100] | 3.94"[100] | 0.39"[10] | Ø1.97"[Ø50] | 38"[965] | -- | 4850/2200 | 8490/3850 | |
| 1000/1330 | 96"[2438] | 40"[1016] | 75"[1905] | 4.02"[102] | 5.91"[150] | 0.47"[12] | Ø1.97"[Ø50] | 38"[965] | -- | 10250/4650 | 13890/6300 | |
| 1500/1995 | 114"[2896] | 42"[1067] | 75"[1905] | 4.96"[126] | 4.72"[120] | (2)0.47"[12] | Ø1.97"[Ø50] | 47"[1194] | 0.47"[12] | 12765/5790 | 16845/7640 | |

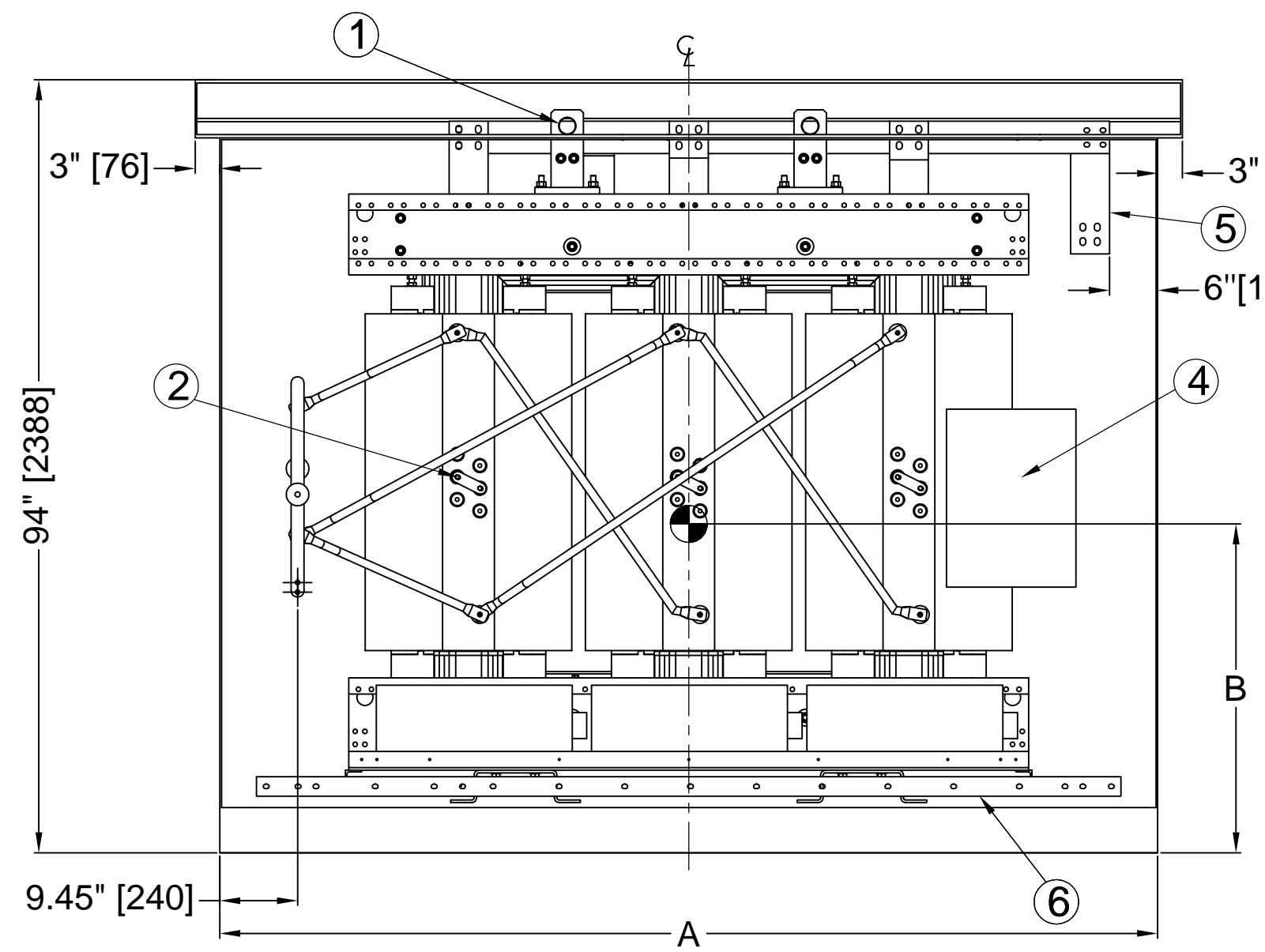


TOP PLAN VIEW

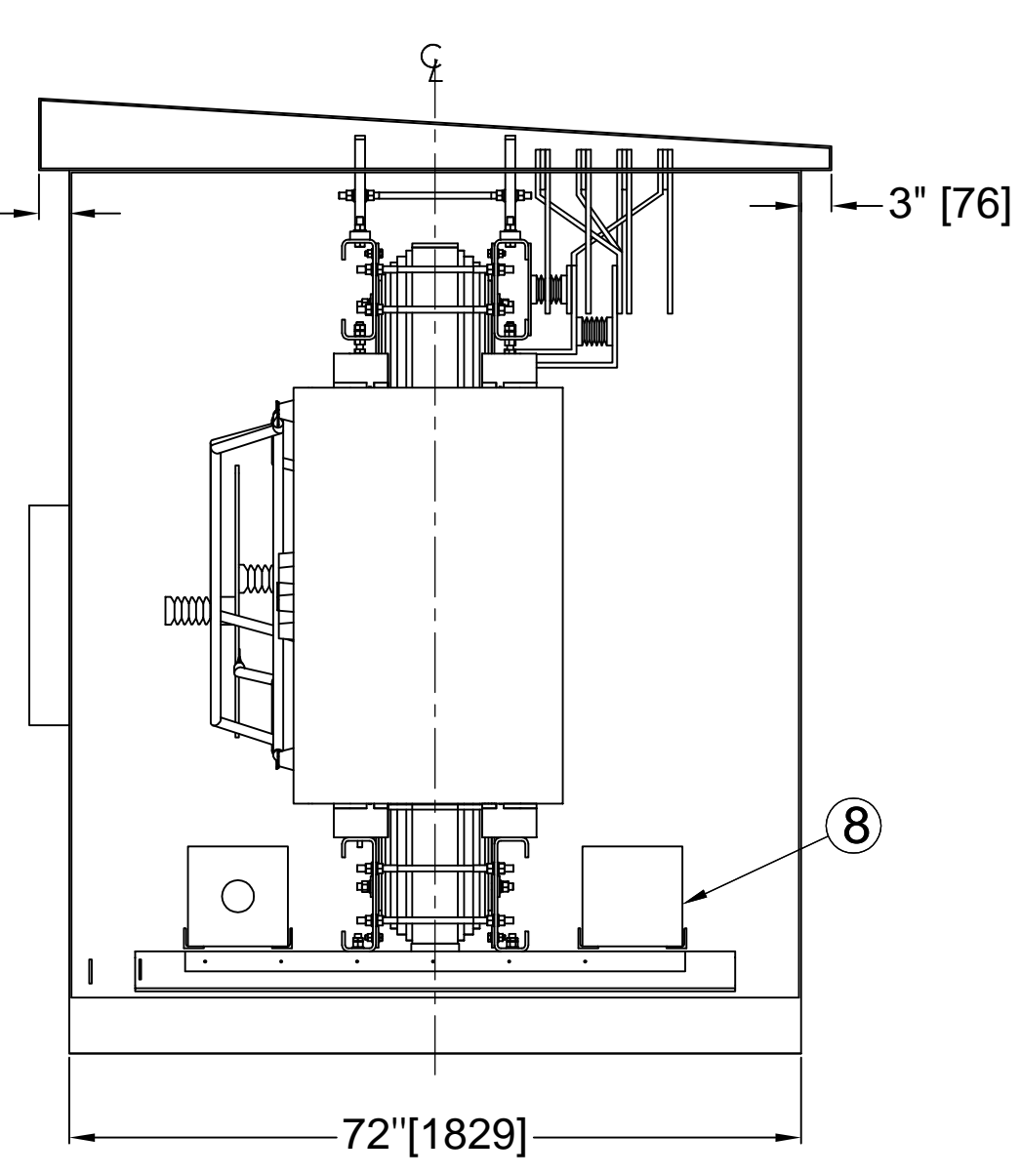


| TAP | VOLTAGE | CONNECTIONS | FIGURE |
|-----|---------|-------------|--------|
| A | 4368 | 3 - 4 | |
| B | 4264 | 2 - 4 | |
| C | 4160 | 2 - 5 | |
| D | 4056 | 1 - 5 | |
| E | 3952 | 1 - 6 | |

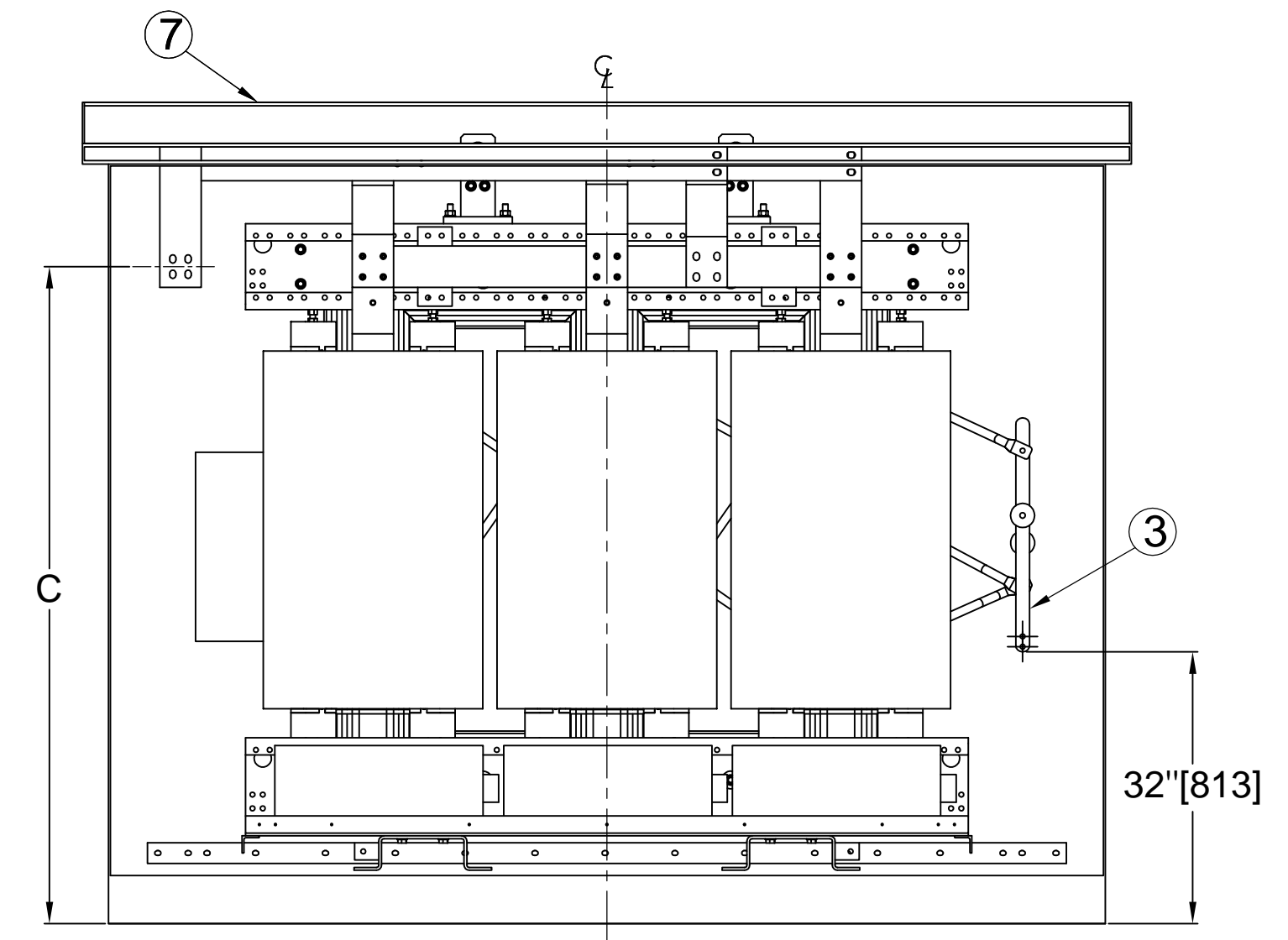
| ITEM | QTY. | DESCRIPTION | REFERENCE |
|------|------|-------------------|-----------|
| 8 | 6 | COOLING FAN | |
| 7 | 1 | ENCLOSURE | |
| 6 | 1 | GROUND BUS | |
| 5 | 4 | LV TERMINAL | |
| 4 | 1 | JUNCTION BOX (JB) | |
| 3 | 3 | HV TERMINAL | |
| 2 | 3 | HV TAPS | |
| 1 | 4 | LIFTING LUG | |



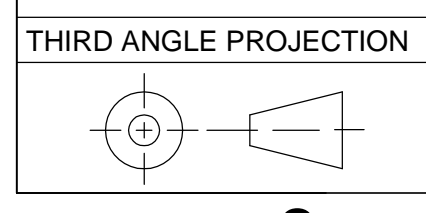
FRONT VIEW (HV TAPS)



RIGHT SIDE VIEW



REAR VIEW



STANDARD: IEEE Std C57.12.01, IEC 60076-11

| | |
|--|-------------------------------|
| KVA: Rated | COOLING CLASS: AA / FA |
| HV. 4160 V D | B.I.L. 60 kV 12 kV AC |
| LV. 208 V Y | B.I.L. 30 kV 4 kV AC |
| PHASE: 3 | FREQUENCY: 60 Hz |
| INSULATION SYSTEM: 185°C(365°F) | TEMPERATURE RISE: 80°C(176°F) |
| HV TAPS: ±5%, 2.5% EACH STEP | |
| CONNECTION: Dyn1 | |
| IMPEDANCE: 5.75% based on Rated kVA (Tolerance: +/-7.5%) | |
| APPROX. WEIGHT TRANSFORMER: W1 | |
| TRANSFORMER WITH ENCLOSURE: W2 | |

JINPAN INTERNATIONAL USA LIMITED
 390 VETERANS BOULEVARD *
 CARLSTADT, NJ, 07072 *

CAST COIL DRY-TYPE TRANSFORMER
 4.16 KV PRIMARY AND 0.208 KV SECONDARY

DWG NO: 4.16-0.208-NEMA 3R-BUSBAR

| SIGNATURES | DATE | SCALE: |
|------------------|--------------|---------------|
| DRAWN: R.Wang | Sep 22, 2017 | NONE |
| CHECKED: F.Chen | Sep 22, 2017 | REV.: A |
| APPROVED: S.Yang | Sep 22, 2017 | SHEET: 2 of 3 |

SIZE DWG NO. 4.16-0.208-NEMA 3R-BUSBAR SHEET 2 OF 3

8

7

6

5

4

1

THIS DRAWING IS FOR REFERENCE ONLY,
JINPAN RESERVE THE RIGHT TO ADJUST
PARAMETER IF NECESSARY.

D

D

C

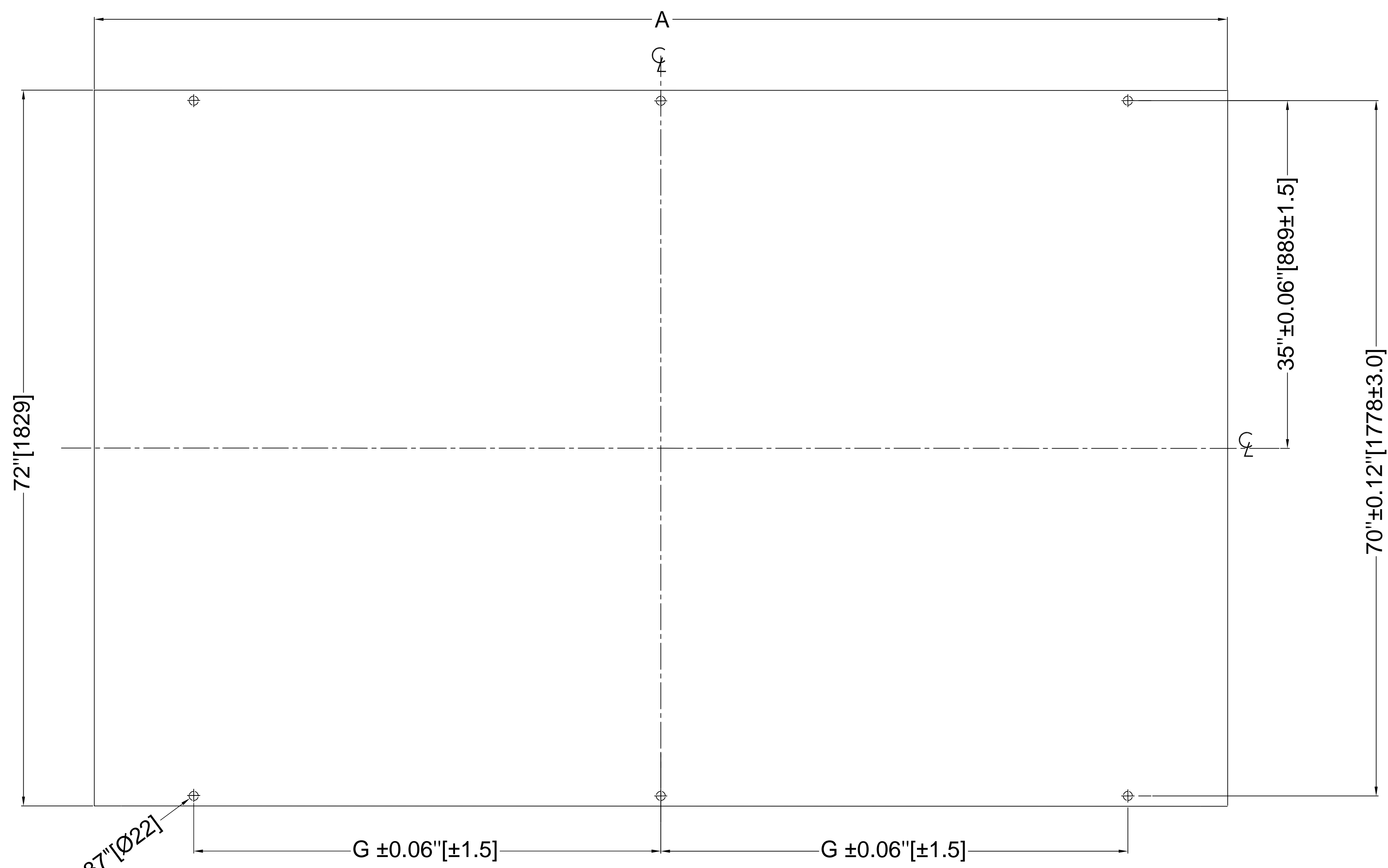
C

B

B

A

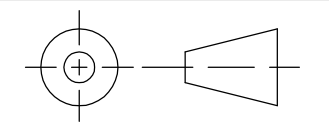
A



MOUNTING HOLES 6-Ø0.87" [Ø22]

FRONT SIDE
FOUNDATION PLAN

THIRD ANGLE PROJECTION



8

7

6

5

4

3

2

1



| | | | |
|--|--|----------------------------|---------------|
| JINPAN INTERNATIONAL USA LIMITED | | * 390 VETERANS BOULEVARD * | |
| | | * CARLSTADT, NJ, 07072 * | |
| CAST COIL DRY-TYPE TRANSFORMER | | | |
| 4.16 KV PRIMARY AND 0.208 KV SECONDARY | | | |
| OUTLINE DRAWING | | | |
| DWG NO: 4.16-0.208-NEMA 3R-BUSBAR | | | |
| SIGNATURES | | DATE | |
| DRAWN: R.Wang | | Sep 22, 2017 | SCALE: NONE |
| CHECKED: F.Chen | | Sep 22, 2017 | REV.: A |
| APPROVED: S.Yang | | Sep 22, 2017 | SHEET: 3 of 3 |