

8

7

6

5

4

SIZE  
D

DWG NO.

4.16-0.208-NEMA 1-BUSBAR

SH  
1

REV.  
A

1

NOTES:

0. APPLICABLE DOCUMENTS AND STANDARDS

A. IEEE Std C57.12.01, IEC 60076-11.

1. MECHANICAL:

A. CONSTRUCTION:

ENCLOSURE IS NEMA 1 INDOOR KNOCK DOWN TYPE WITH REMOVABLE PANELS MADE OF COLD-ROLLED STEEL SHEET ATTACHED TO A STEEL BASE FRAME, AND THE BASE IS FINISHED WITH SPRAYING BLACK PAINT.

COILS: FIBER REINFORCED VACUUM CAST EPOXY RESIN WITH COPPER WINDINGS.

CORE: STEP LAPPED SILICA STEEL LAMINATION (EQUAL TO M5) WITH BLACK EPOXY PAINT COATING .

BUS WORK: TIN PLATED COPPER.

B. FINISH:

ENCLOSURE IS ELECTRO-STATIC POWDER PAINT, ANSI 61.

C. THE JUNCTION BOX (NEMA 12) INCLUDES TERMINALS AND TERMINAL BOARDS, AND CABLE ENTERS FROM THE BOTTOM OF THE TERMINAL BOX.

2. ELECTRICAL:

A. TRANSFORMER RATING (SEE SHEET 2).

3. ENVIRONMENTAL:

A. OPERATING

INDOOR

TEMPERATURE: DESIGN AMBIENT TEMPERATURE IS 30°C(86°F) AVG / 40°C(104°F) MAX.

ALTITUDE: 1000M (3300FEET) MAX

B. STORAGE

TEMPERATURE: -25°C(-13°F) TO 50°C(122°F)

HUMIDITY: 0% TO 75%

4. MISCL:

A.  : CENTER OF GRAVITY.

B. ALL INDICATORS AND GAUGES ARE DIMENSIONED IN BOTH ENGLISH AND METRIC UNITS, UNLESS OTHERWISE SPECIFIED, DIMENSION TOLERANCE IS ±3%.

C. 54" SPACE REQUIRED AROUND THE ENCLOSURE FOR VENTILATION AND MAINTENANCE.

THIS DRAWING IS FOR REFERENCE ONLY,  
JINPAN RESERVE THE RIGHT TO ADJUST  
PARAMETER IF NECESSARY.

REVISIONS				
REV.	ZONE	DESCRIPTION	DATE	APPROVED
A		INITIAL ISSUE	Sep 22, 2017	S.Yang

D

D

C

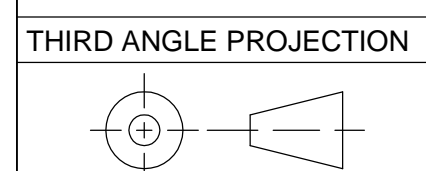
C

B

B

A

A



8

7

6

5

4

3

2

1

JINPAN INTERNATIONAL USA LIMITED		* 390 VETERANS BOULEVARD *	
		* CARLSTADT, NJ, 07072 *	
CAST COIL DRY-TYPE TRANSFORMER			
4.16 KV PRIMARY AND 0.208 KV SECONDARY			
<b>OUTLINE DRAWING</b>			
DWG NO: <b>4.16-0.208-NEMA 1-BUSBAR</b>			
SIGNATURES		DATE	
DRAWN: R.Wang		Sep 22, 2017	SCALE: NONE
CHECKED: F.Chen		Sep 22, 2017	REV.: A
APPROVED: S.Yang		Sep 22, 2017	SHEET: 1 of 3

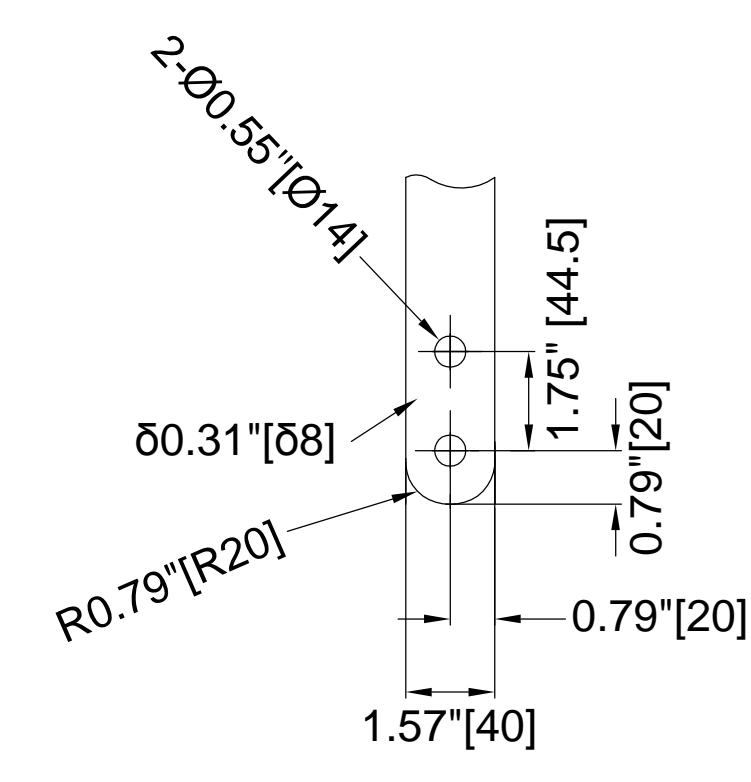
SIZE  
D

DWG NO.  
4.16-0.208-NEMA 1-BUSBAR

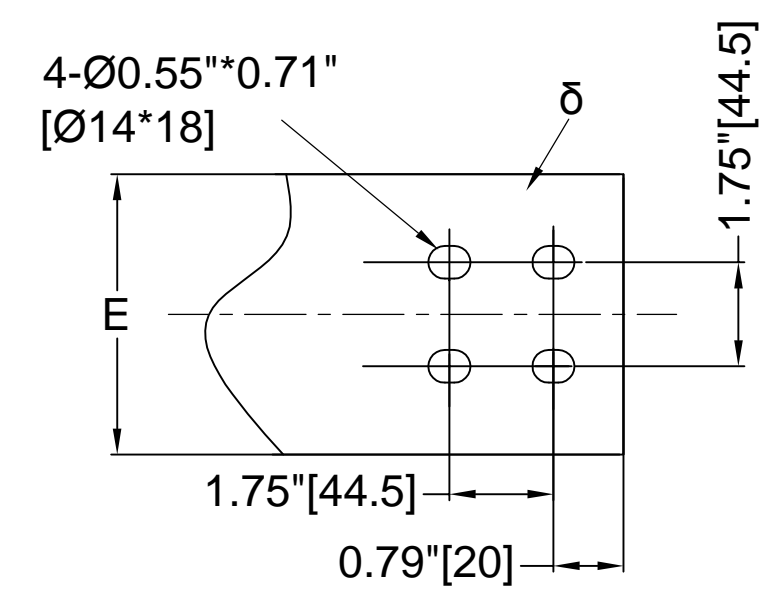
SH  
1  
REV.  
A

DISTR  
TO

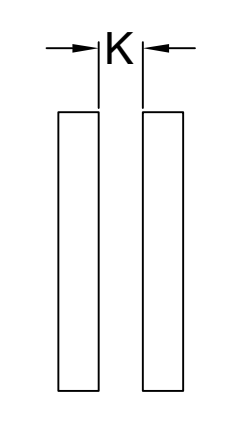
THIS DRAWING IS FOR REFERENCE ONLY,  
JINPAN RESERVE THE RIGHT TO ADJUST  
PARAMETER IF NECESSARY.



HV TERMINAL(H1-H3)

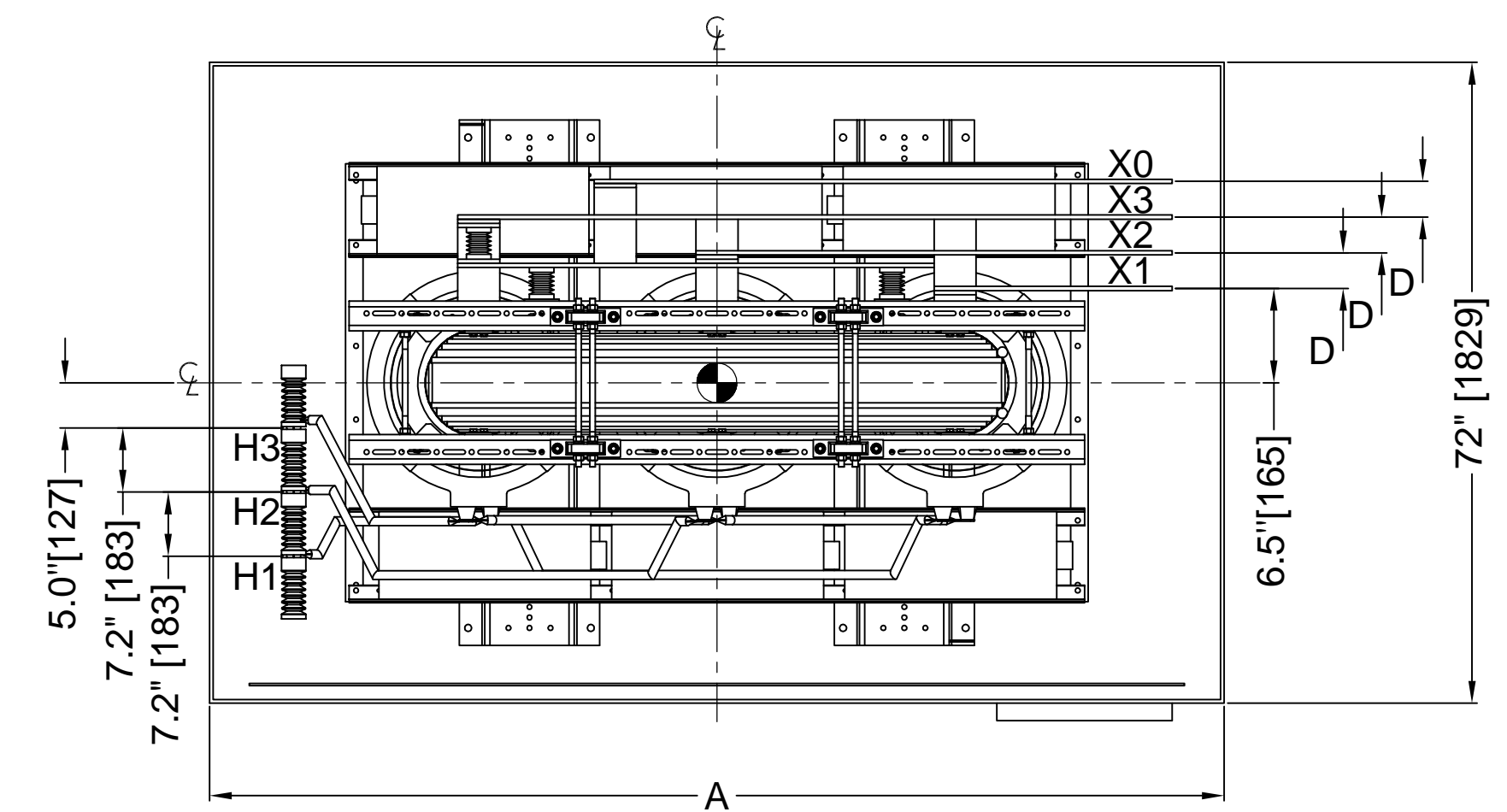


LV TERMINAL(X0-X3)

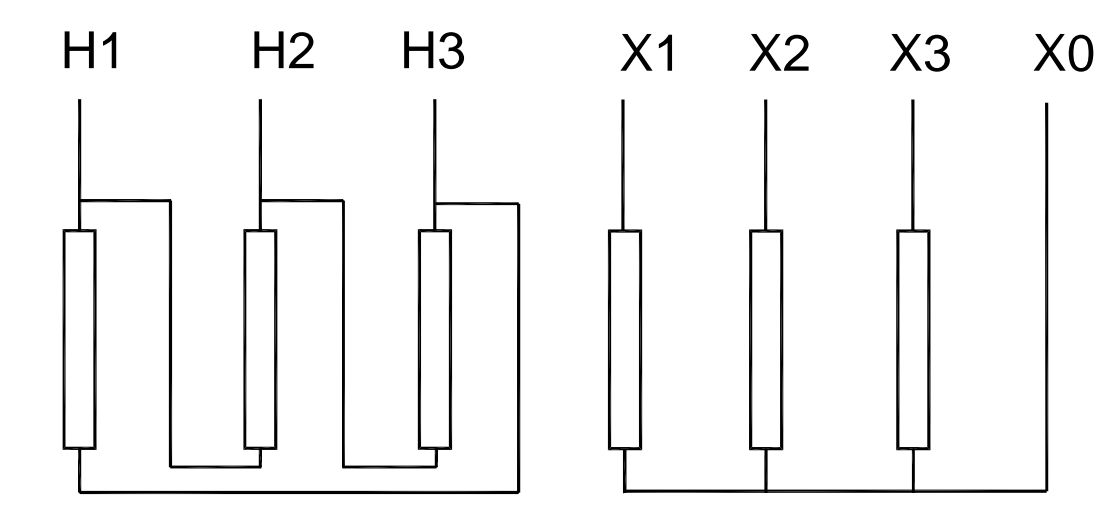


LIFTING LUG

Rated (kVA)	Dimension(in/mm)										LBS/KG	
	A	B	C	D	E	F	δ	G	K	W1	W2	
500/665	96"[2438]	33"[838]	78"[1981]	3.94"[100]	3.94"[100]	Ø1.97"[Ø50]	0.39"[10]	38"[965]	--	4850/2200	6790/3080	
1000/1330	96"[2438]	40"[1016]	86"[2184]	4.02"[102]	5.91"[150]	Ø1.97"[Ø50]	0.47"[12]	38"[965]	--	10250/4650	12190/5530	
1500/1995	114"[2896]	42"[1067]	88"[2235]	4.96"[126]	4.72"[120]	Ø1.97"[Ø50]	(2)0.47"[12]	47"[1194]	0.47"[12]	12765/5790	14960/6785	

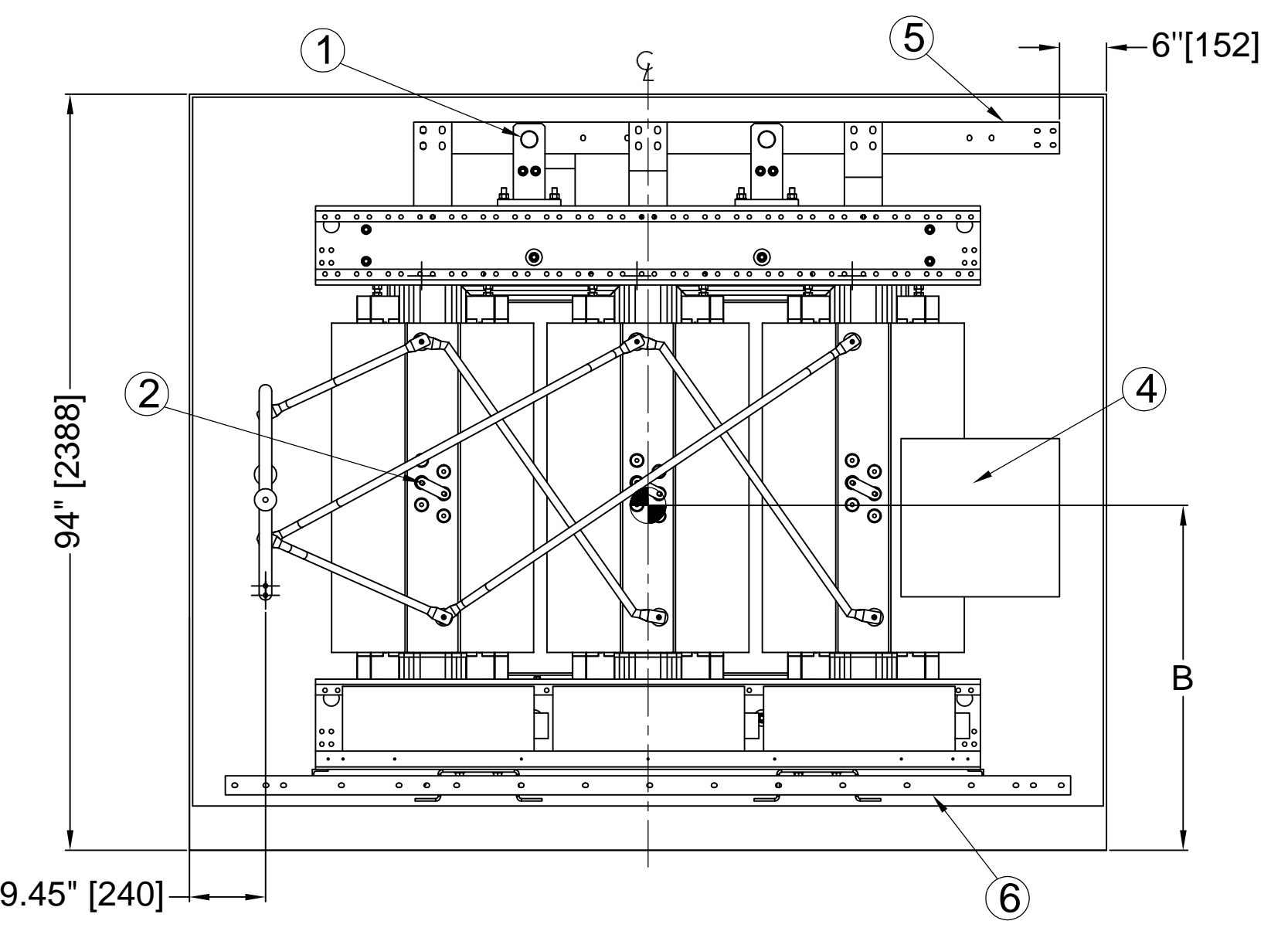


TOP PLAN VIEW

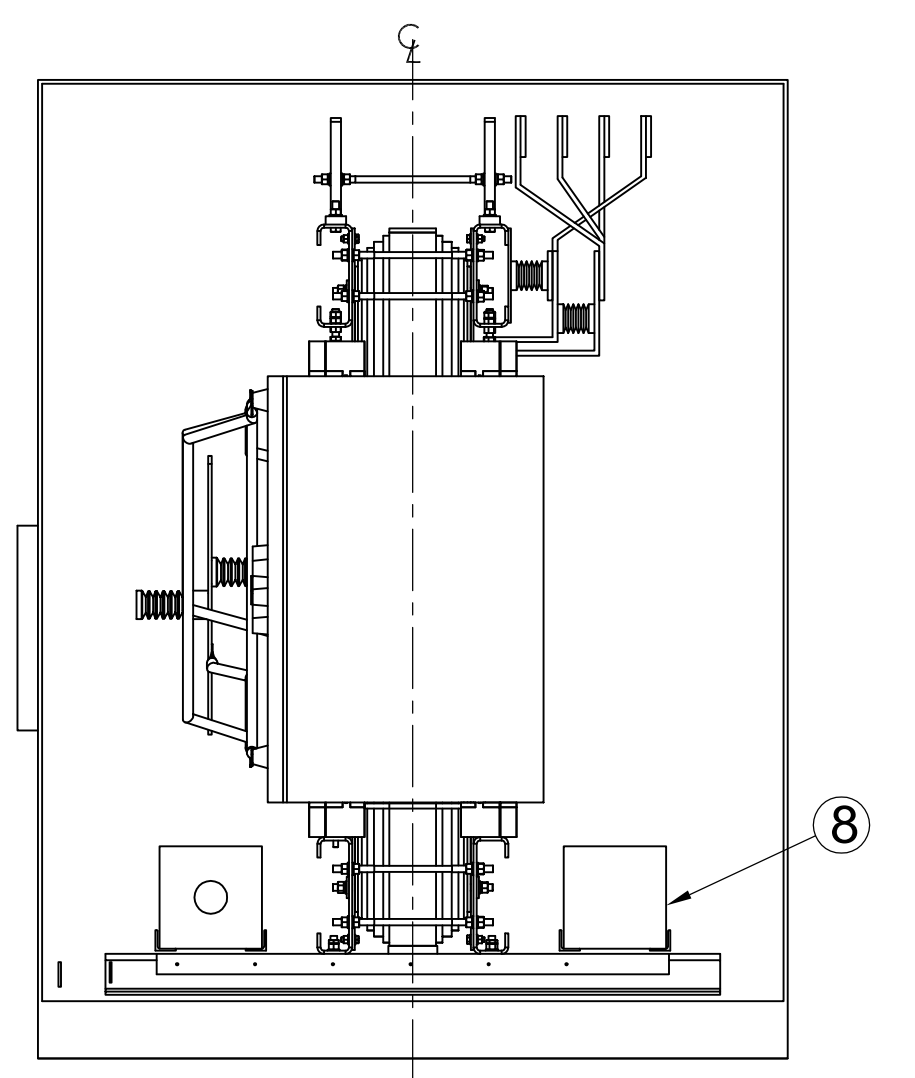


TAP	VOLTAGE	CONNECTIONS	FIGURE
A	4368	3 - 4	
B	4264	2 - 4	
C	4160	2 - 5	
D	4056	1 - 5	
E	3952	1 - 6	

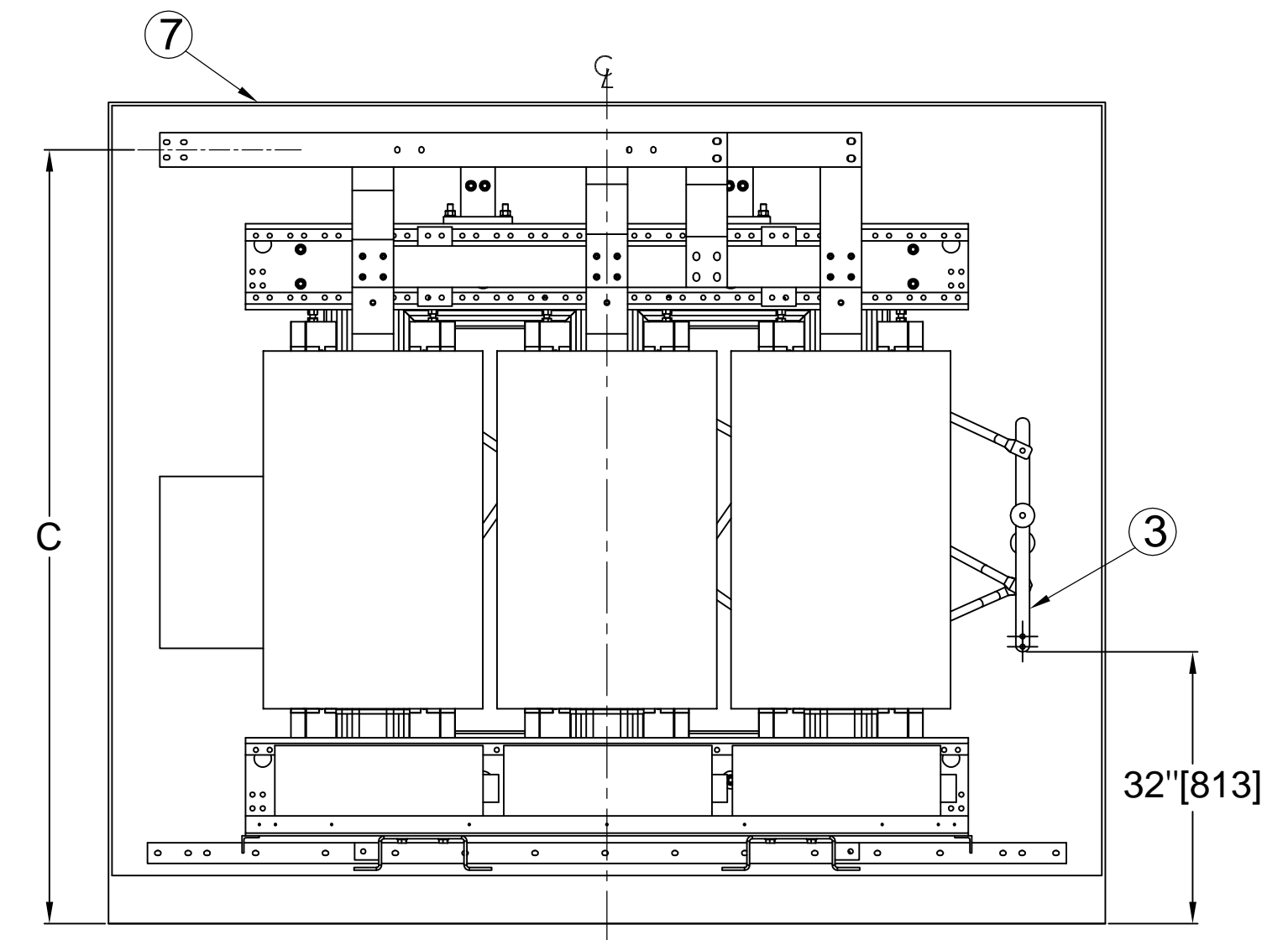
ITEM	QTY.	DESCRIPTION	REFERENCE
8	6	COOLING FAN	
7	1	ENCLOSURE	
6	1	GROUND BUS	
5	4	LV TERMINAL	
4	1	JUNCTION BOX (JB)	
3	3	HV TERMINAL	
2	3	HV TAPS	
1	4	LIFTING LUG	



FRONT VIEW (HV TAPS)



RIGHT SIDE VIEW



REAR VIEW

STANDARD: IEEE Std C57.12.01, IEC 60076-11

KVA:	Rated	COOLING CLASS:	AA / FA
HV.	4160 V D	B.I.L.	60 kV 12 kV AC
LV.	208 V Y	B.I.L.	30 kV 4 kV AC
PHASE:	3	FREQUENCY:	60 Hz
INSULATION SYSTEM:	185°C(365°F)	TEMPERATURE RISE:	80°C(176°F)
HV TAPS:	±5%, 2.5% EACH STEP		
CONNECTION:	Dyn1		
IMPEDANCE:	5.75% based on Rated kVA (Tolerance: +/-7.5%)		
APPROX. WEIGHT	TRANSFORMER:		W1
	TRANSFORMER WITH ENCLOSURE:		W2

JINPAN INTERNATIONAL USA LIMITED  
 390 VETERANS BOULEVARD \*  
 CARLSTADT, NJ, 07072 \*

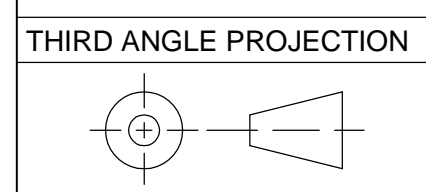
CAST COIL DRY-TYPE TRANSFORMER  
 4.16 KV PRIMARY AND 0.208 KV SECONDARY

OUTLINE DRAWING

DWG NO: 4.16-0.208-NEMA 1-BUSBAR

SIGNATURES	DATE	SCALE:	REV.
DRAWN: R.Wang	Sep 22, 2017	NONE	A
CHECKED: F.Chen	Sep 22, 2017		
APPROVED: S.Yang	Sep 22, 2017		

SHEET: 2 of 3



SIZE DWG NO. 4.16-0.208-NEMA 1-BUSBAR SHEET 2 REV. A

8

7

6

5

4

1

THIS DRAWING IS FOR REFERENCE ONLY,  
JINPAN RESERVE THE RIGHT TO ADJUST  
PARAMETER IF NECESSARY.

D

D

C

C

B

B

A

A



8

7

6

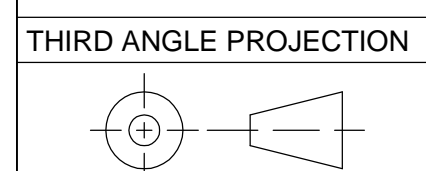
5

4

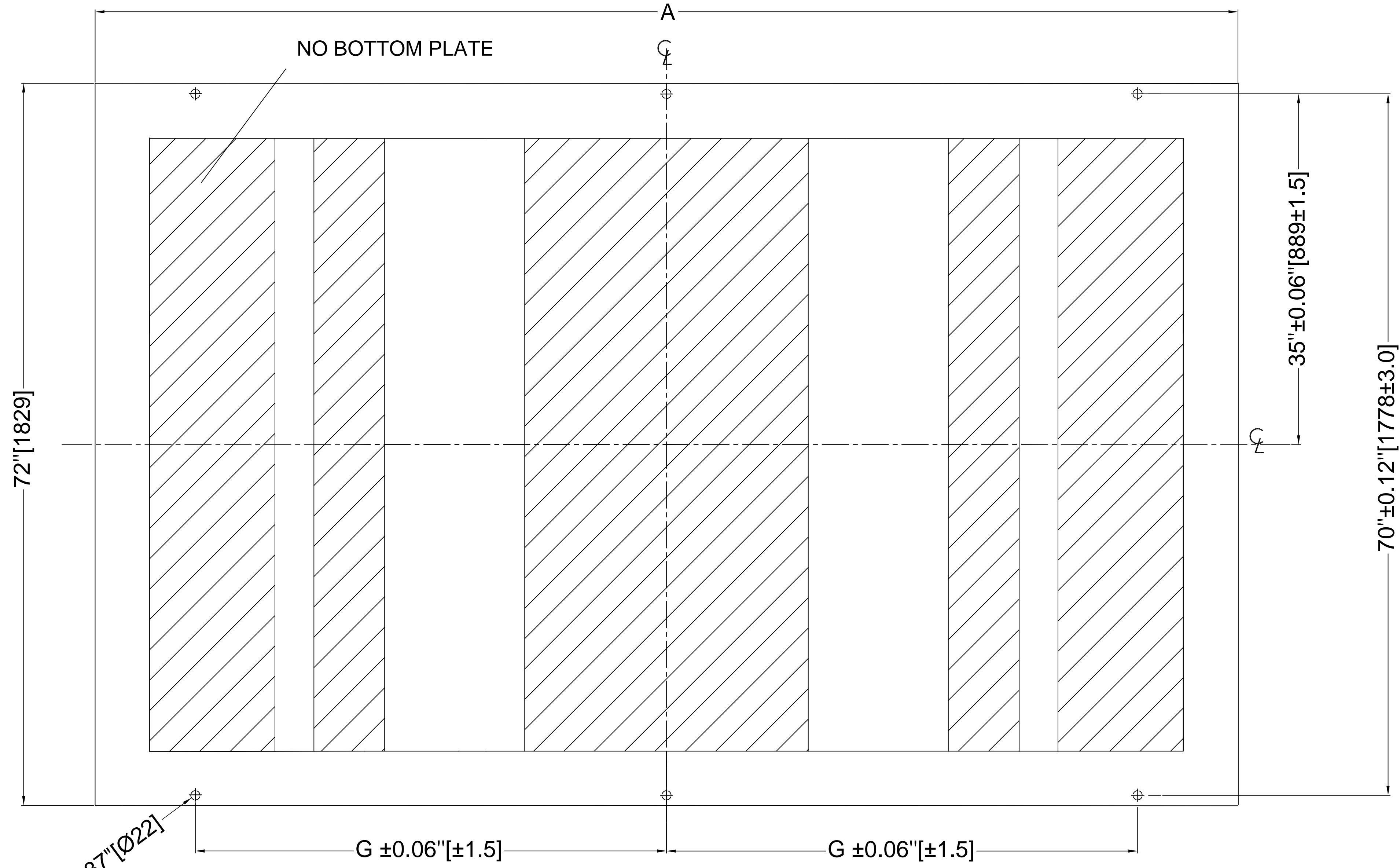
3

2

1



MOUNTING HOLES 6-Ø0.87" [Ø22]



FRONT SIDE  
FOUNDATION PLAN

JINPAN INTERNATIONAL USA LIMITED		* 390 VETERANS BOULEVARD *	
		* CARLSTADT, NJ, 07072 *	
CAST COIL DRY-TYPE TRANSFORMER			
4.16 KV PRIMARY AND 0.208 KV SECONDARY			
<b>OUTLINE DRAWING</b>			
DWG NO: 4.16-0.208-NEMA 1-BUSBAR			
SIGNATURES		DATE	
DRAWN: R.Wang		Sep 22, 2017	SCALE: NONE
CHECKED: F.Chen		Sep 22, 2017	REV.: A
APPROVED: S.Yang		Sep 22, 2017	SHEET: 3 of 3

SIZE | DWG NO. | 4.16-0.208-NEMA 1-BUSBAR | SH | REV. | 3 | A | DISTR TO