

8

7

6

5

4

1

NOTES:

0. APPLICABLE DOCUMENTS AND STANDARDS

A. IEEE Std C57.12.01, IEC 60076-11.

1. MECHANICAL:

A. CONSTRUCTION:

ENCLOSURE IS NEMA 3R OUTDOOR KNOCK DOWN TYPE WITH REMOVABLE PANELS MADE OF COLD-ROLLED STEEL SHEET ATTACHED TO A STEEL BASE FRAME, AND THE BASE IS FINISHED WITH SPRAYING BLACK PAINT.

COILS: FIBER REINFORCED VACUUM CAST EPOXY RESIN WITH COPPER WINDINGS.

CORE: STEP LAPPED SILICA STEEL LAMINATION (EQUAL TO M5) WITH BLACK EPOXY PAINT COATING .

BUS WORK: TIN PLATED COPPER.

B. FINISH:

ENCLOSURE IS ELECTRO-STATIC POWDER PAINT, ANSI 61.

C. THE JUNCTION BOX (NEMA 4X) INCLUDES TERMINALS AND TERMINAL BOARDS, AND CABLE ENTERS FROM THE BOTTOM OF THE TERMINAL BOX.

2. ELECTRICAL:

A. TRANSFORMER RATING (SEE SHEET 2).

3. ENVIRONMENTAL:

A. OPERATING

OUTDOOR

TEMPERATURE: DESIGN AMBIENT TEMPERATURE IS 30°C(86°F) AVG / 40°C(104°F) MAX.

ALTITUDE: 1000M (3300FEET) MAX

B. STORAGE

TEMPERATURE: -25°C(-13°F) TO 50°C(122°F)

HUMIDITY: 0% TO 75%

4. MISCL:

A.  : CENTER OF GRAVITY.

B. ALL INDICATORS AND GAUGES ARE DIMENSIONED IN BOTH ENGLISH AND METRIC UNITS, UNLESS OTHERWISE SPECIFIED, DIMENSION TOLERANCE IS ±3%.

C. 54" SPACE REQUIRED AROUND THE ENCLOSURE FOR VENTILATION AND MAINTENANCE.

THIS DRAWING IS FOR REFERENCE ONLY,
JINPAN RESERVE THE RIGHT TO ADJUST
PARAMETER IF NECESSARY.

REVISIONS				
REV.	ZONE	DESCRIPTION	DATE	APPROVED
A		INITIAL ISSUE	Oct 20, 2017	P.Wan

D

D

C

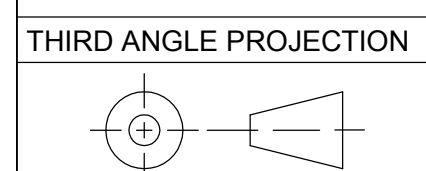
C

B

B

A

A



8

7

6

5

4

3

2

1

JINPAN INTERNATIONAL USA LIMITED		* 390 VETERANS BOULEVARD *	
		* CARLSTADT, NJ, 07072 *	
CAST COIL DRY-TYPE TRANSFORMER			
34.5 KV PRIMARY AND 0.208 KV SECONDARY			
OUTLINE DRAWING			
DWG NO: 34.5-0.208-NEMA 3R-BUSBAR			
SIGNATURES		DATE	
DRAWN: R.Cao		Oct 20, 2017	SCALE: NONE
CHECKED: F.Chen		Oct 20, 2017	REV.: A
APPROVED: P.Wan		Oct 20, 2017	SHEET: 1 of 3

SIZE: D
 DWG NO: 34.5-0.208-NEMA 3R-BUSBAR
 SH: 1
 REV: A
 DISTR TO

8

7

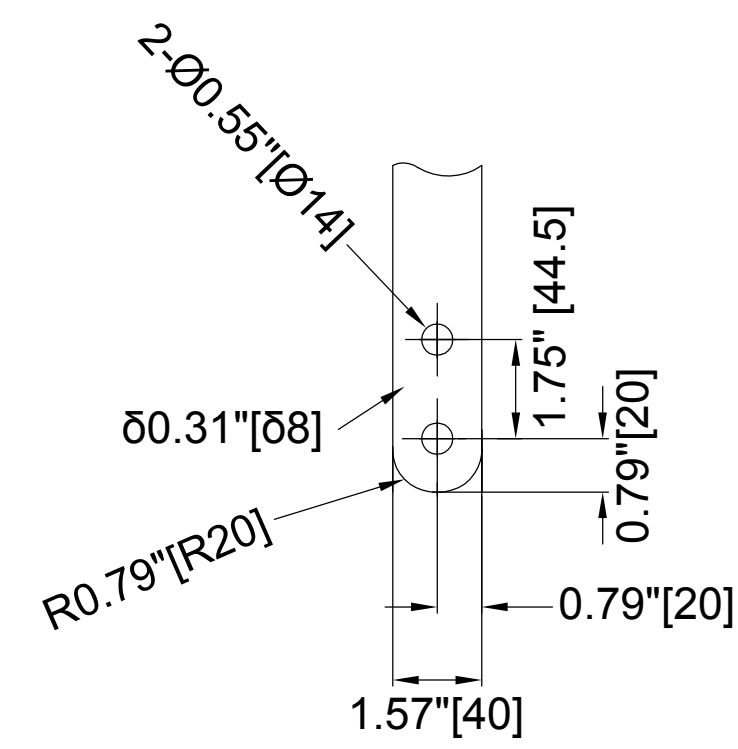
6

5

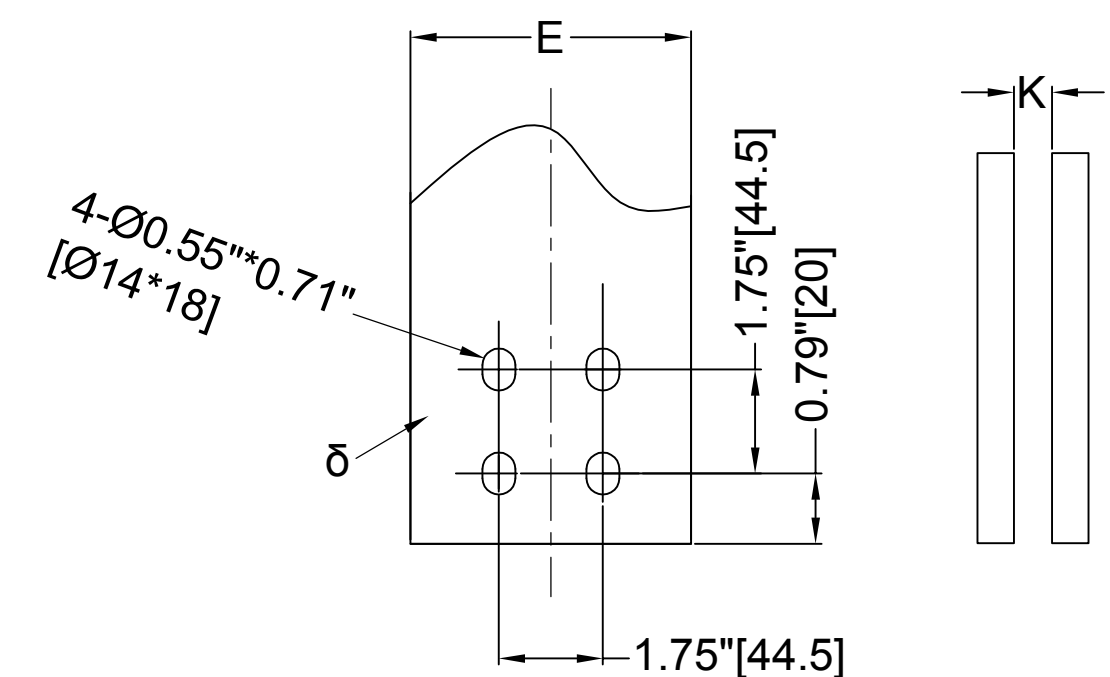
4

1

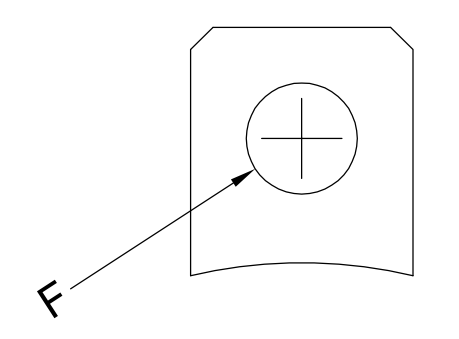
THIS DRAWING IS FOR REFERENCE ONLY, JINPAN RESERVE THE RIGHT TO ADJUST PARAMETER IF NECESSARY.



HV TERMINAL(H1-H3)

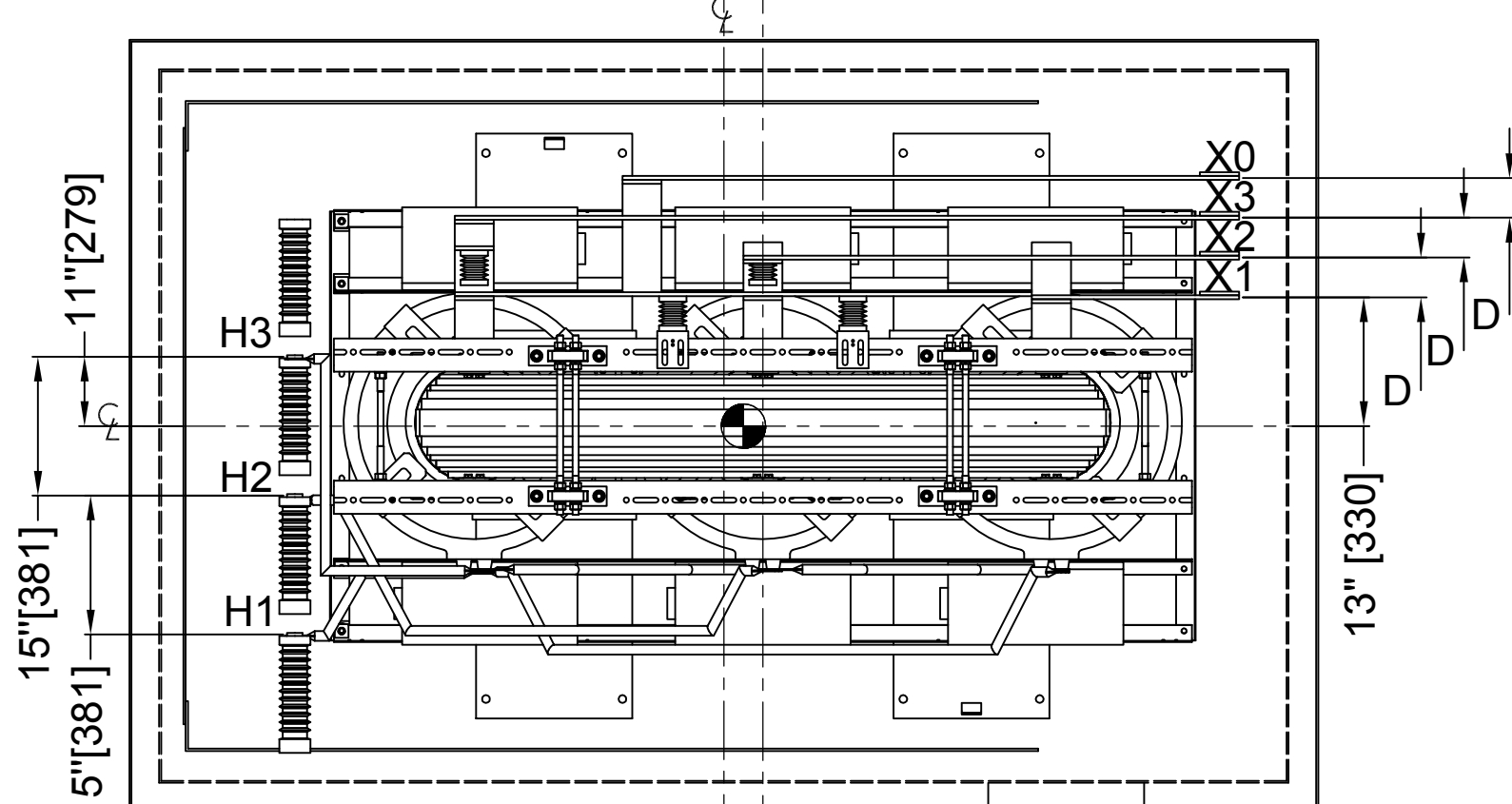


LV TERMINAL(X0-X3)

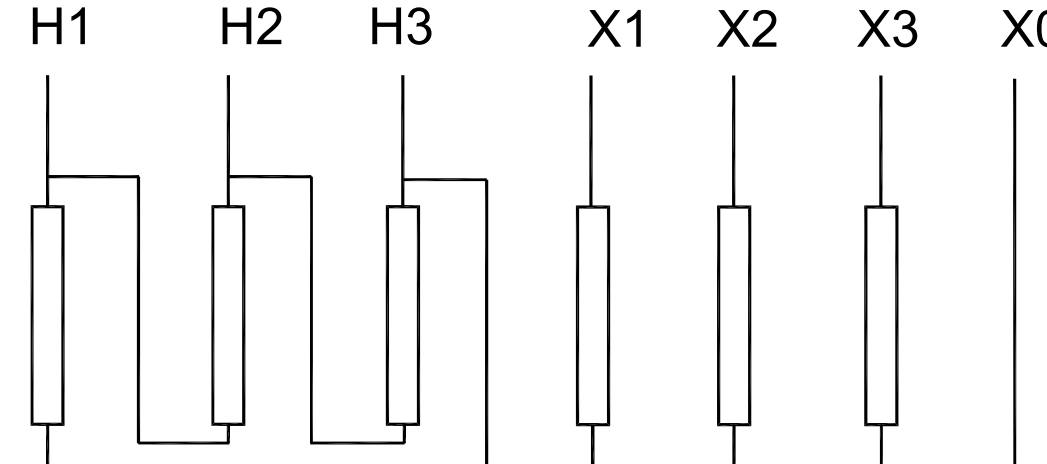


LIFTING LUG

Rated (kVA)	Dimension(in/mm)										LBS/KG	
	A	B	C	D	E	F	δ	G	K	L	W1	W2
500/665	114"[2896]	42"[1067]	75"[1905]	3.94"[100]	3.94"[100]	Ø1.97"[Ø50]	0.39"[10]	47"[1194]	--	94"[2388]	6590/2990	10670/4840
1000/1330	126"[3200]	45"[1143]	80"[2032]	4.02"[102]	5.91"[150]	Ø1.97"[Ø50]	0.47"[12]	53"[1346]	--	116"[2946]	13730/6230	18540/8410
1500/1995	126"[3200]	46"[1168]	82"[2083]	4.96"[126]	4.72"[120]	Ø1.97"[Ø50]	(2)0.47"[12]	53"[1346]	0.47"[12]	116"[2946]	17460/7920	22265/10100



TOP PLAN VIEW



TAP	VOLTAGE	CONNECTIONS	FIGURE
A	36225	2 - 3, 6 - 7	② ③ ④
B	35363	2 - 3, 5 - 7	
C	34500	1 - 3, 5 - 7	⑥ ⑦ ⑧
D	33638	1 - 3, 5 - 8	
E	32775	1 - 4, 5 - 8	

ITEM	QTY.	DESCRIPTION	REFERENCE
8	6	COOLING FAN	
7	1	ENCLOSURE	
6	1	GROUND BUS	
5	4	LV TERMINAL	
4	1	JUNCTION BOX (JB)	
3	3	HV TERMINAL	
2	6	HV TAPS	
1	4	LIFTING LUG	

STANDARD: IEEE Std C57.12.01, IEC 60076-11

KVA: Rated 34500 COOLING CLASS: AA / FA

HV. 34500 V D B.I.L. 150 kV 70 kV AC

LV. 208 V Y B.I.L. 30 kV 4 kV AC

PHASE: 3 FREQUENCY: 60 Hz

INSULATION SYSTEM: 185°C(365°F) TEMPERATURE RISE: 80°C(176°F)

HV TAPS: ±5%, 2.5% EACH STEP

CONNECTION: Dyn1

IMPEDANCE: 5.75% based on Rated kVA (Tolerance: +/-7.5%)

APPROX. WEIGHT TRANSFORMER: W1

TRANSFORMER WITH ENCLOSURE: W2

JINPAN INTERNATIONAL USA LIMITED
 390 VETERANS BOULEVARD *
 CARLSTADT, NJ, 07072 *

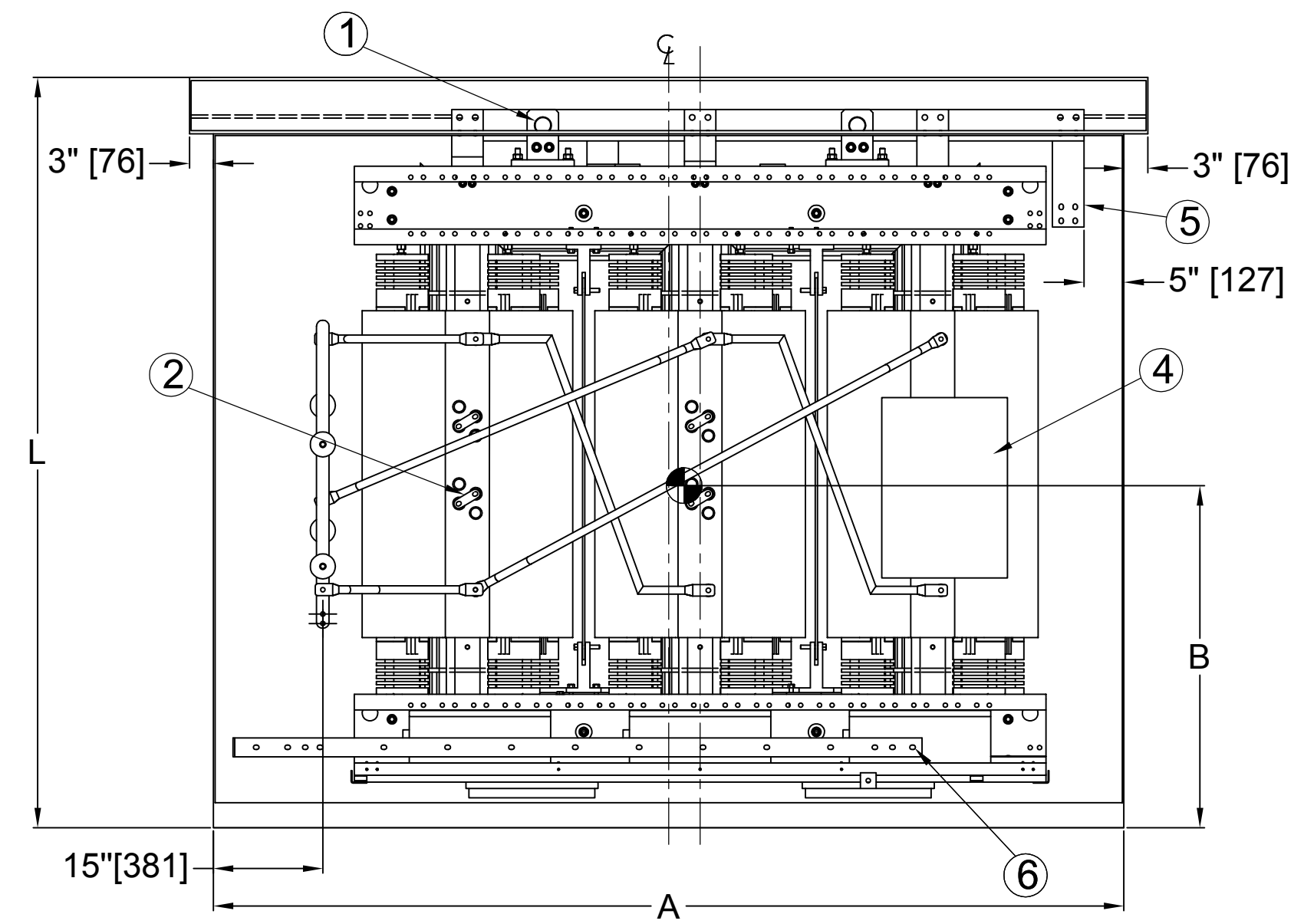
CAST COIL DRY-TYPE TRANSFORMER

34.5 KV PRIMARY AND 0.208 KV SECONDARY

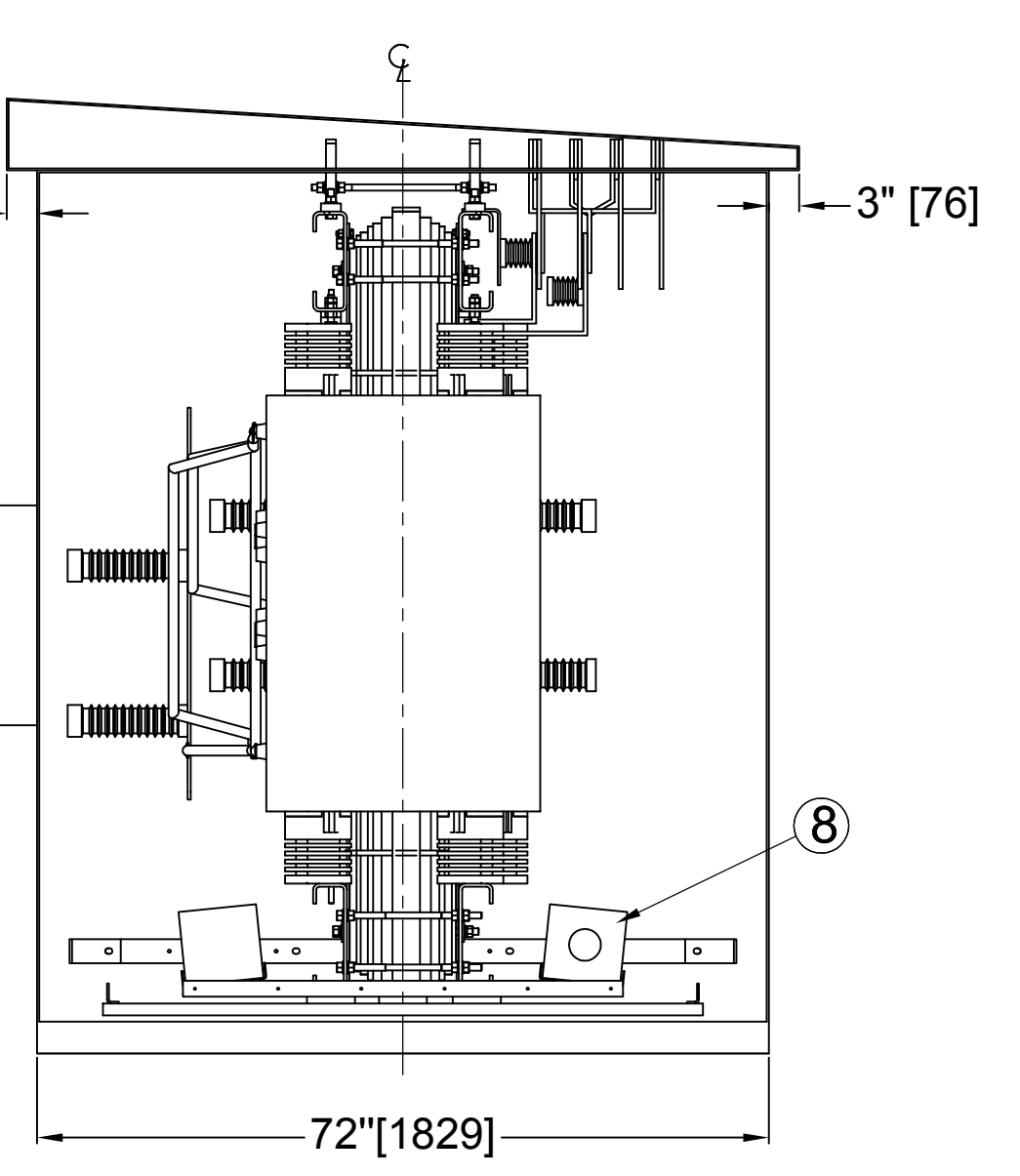
OUTLINE DRAWING

DWG NO: 34.5-0.208-NEMA 3R-BUSBAR

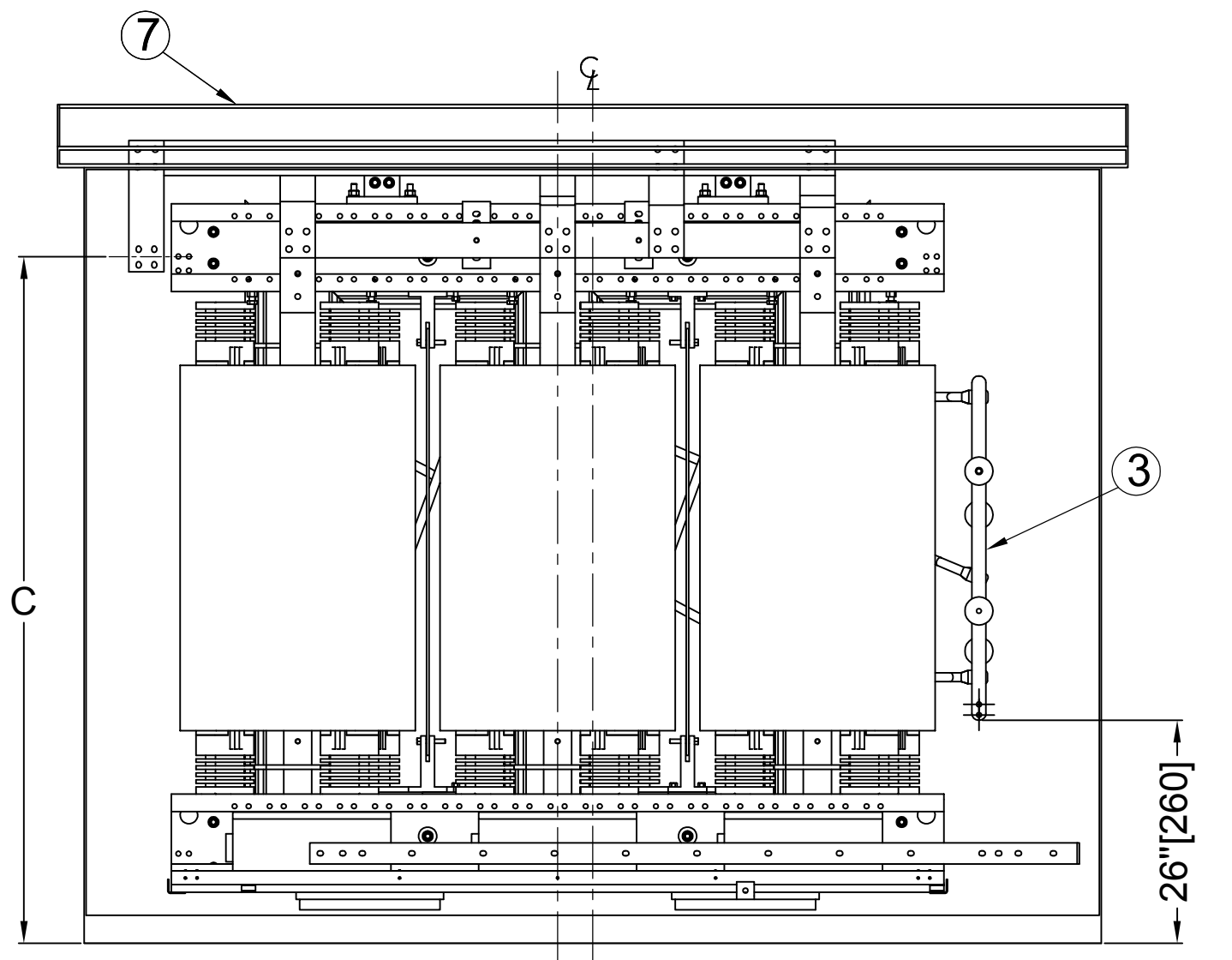
SIGNATURES	DATE	SCALE:
DRAWN: R.Cao	Oct 20, 2017	NONE
CHECKED: F.Chen	Oct 20, 2017	REV.: A
APPROVED: P.Wan	Oct 20, 2017	SHEET: 2 of 3



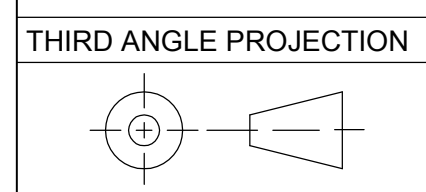
FRONT VIEW (HV TAPS)



RIGHT SIDE VIEW



REAR VIEW



8

7

6

5

4

3

2

1

SIZE DWG NO. 34.5-0.208-NEMA 3R-BUSBAR SHEET 2 REV. A

8

7

6

5

4

1

THIS DRAWING IS FOR REFERENCE ONLY,
JINPAN RESERVE THE RIGHT TO ADJUST
PARAMETER IF NECESSARY.

D

D

C

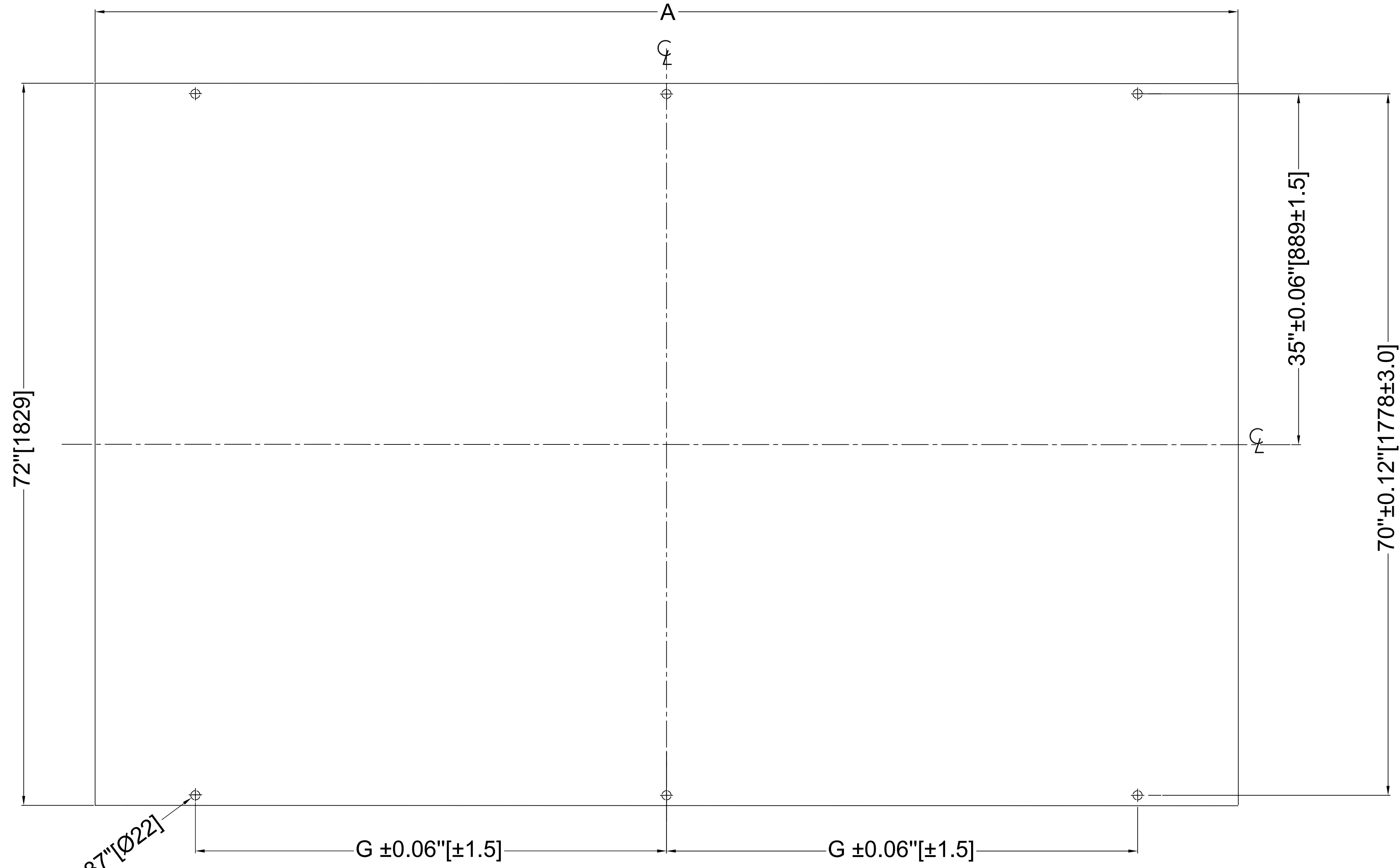
C

B

B

A

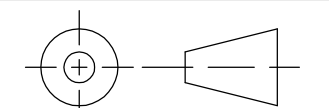
A



MOUNTING HOLES 6-Ø0.87" [Ø22]

FRONT SIDE
FOUNDATION PLAN

THIRD ANGLE PROJECTION



8

7

6

5

4

3

2

1



JINPAN INTERNATIONAL USA LIMITED		* 390 VETERANS BOULEVARD *	
		* CARLSTADT, NJ, 07072 *	
CAST COIL DRY-TYPE TRANSFORMER			
34.5 KV PRIMARY AND 0.208 KV SECONDARY			
OUTLINE DRAWING			
DWG NO:		34.5-0.208-NEMA 3R-BUSBAR	
SIGNATURES		DATE	
DRAWN: R.Cao		Oct 20, 2017	SCALE: NONE
CHECKED: F.Chen		Oct 20, 2017	REV.: A
APPROVED: P.Wan		Oct 20, 2017	SHEET: 3 of 3

SIZE | DWG NO. | SHEET | REV. | DISTR TO

D | 34.5-0.208-NEMA 3R-BUSBAR | 3 | A |