

8

7

6

5

4

SIZE
D

DWG NO.

13.8-0.48-NEMA 1-BUSBAR

SH
1

REV.
A

1

NOTES:

0. APPLICABLE DOCUMENTS AND STANDARDS

A. IEEE Std C57.12.01, IEC 60076-11.

1. MECHANICAL:

A. CONSTRUCTION:

ENCLOSURE IS NEMA 1 INDOOR KNOCK DOWN TYPE WITH REMOVABLE PANELS MADE OF COLD-ROLLED STEEL SHEET ATTACHED TO A STEEL BASE FRAME, AND THE BASE IS FINISHED WITH SPRAYING BLACK PAINT.

COILS: FIBER REINFORCED VACUUM CAST EPOXY RESIN WITH COPPER WINDINGS.

CORE: STEP LAPPED SILICA STEEL LAMINATION (EQUAL TO M5) WITH BLACK EPOXY PAINT COATING .

BUS WORK: TIN PLATED COPPER.

B. FINISH:

ENCLOSURE IS ELECTRO-STATIC POWDER PAINT, ANSI 61.

C. THE JUNCTION BOX (NEMA 12) INCLUDES TERMINALS AND TERMINAL BOARDS, AND CABLE ENTERS FROM THE BOTTOM OF THE TERMINAL BOX.

2. ELECTRICAL:

A. TRANSFORMER RATING (SEE SHEET 2).

3. ENVIRONMENTAL:

A. OPERATING

INDOOR

TEMPERATURE: DESIGN AMBIENT TEMPERATURE IS 30°C(86°F) AVG / 40°C(104°F) MAX.

ALTITUDE: 1000M (3300FEET) MAX

B. STORAGE

TEMPERATURE: -25°C(-13°F) TO 50°C(122°F)

HUMIDITY: 0% TO 75%

4. MISCL:

A.  : CENTER OF GRAVITY.

B. ALL INDICATORS AND GAUGES ARE DIMENSIONED IN BOTH ENGLISH AND METRIC UNITS, UNLESS OTHERWISE SPECIFIED, DIMENSION TOLERANCE IS ±3%.

C. 54" SPACE REQUIRED AROUND THE ENCLOSURE FOR VENTILATION AND MAINTENANCE.

THIS DRAWING IS FOR REFERENCE ONLY,
JINPAN RESERVE THE RIGHT TO ADJUST
PARAMETER IF NECESSARY.

REVISIONS				
REV.	ZONE	DESCRIPTION	DATE	APPROVED
A		INITIAL ISSUE	Sep 15, 2017	P.Wan

D

D

C

C

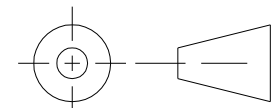
B

B

A

A

THIRD ANGLE PROJECTION



8

7

6

5

4

3

2

1

JINPAN INTERNATIONAL USA LIMITED		* 390 VETERANS BOULEVARD *	
		* CARLSTADT, NJ, 07072 *	
CAST COIL DRY-TYPE TRANSFORMER			
13.8 KV PRIMARY AND 0.48 KV SECONDARY			
OUTLINE DRAWING			
DWG NO: 13.8-0.48-NEMA 1-BUSBAR			
SIGNATURES		DATE	
DRAWN: M.Song		Sep 15, 2017	SCALE: NONE
CHECKED: R.Mao		Sep 15, 2017	REV.: A
APPROVED: P.Wan		Sep 15, 2017	SHEET: 1 of 3

SIZE
D

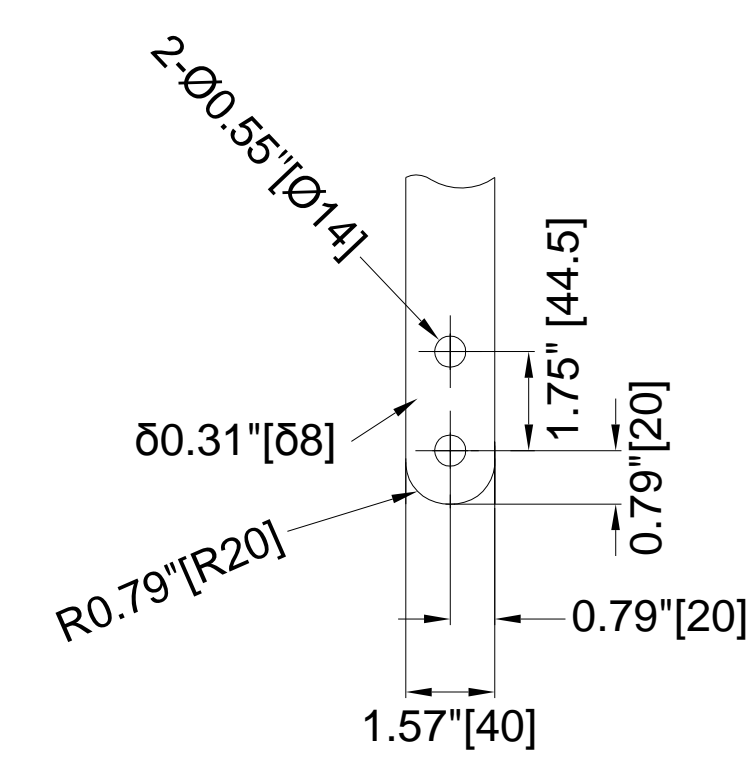
DWG NO.
13.8-0.48-NEMA 1-BUSBAR

SH
1

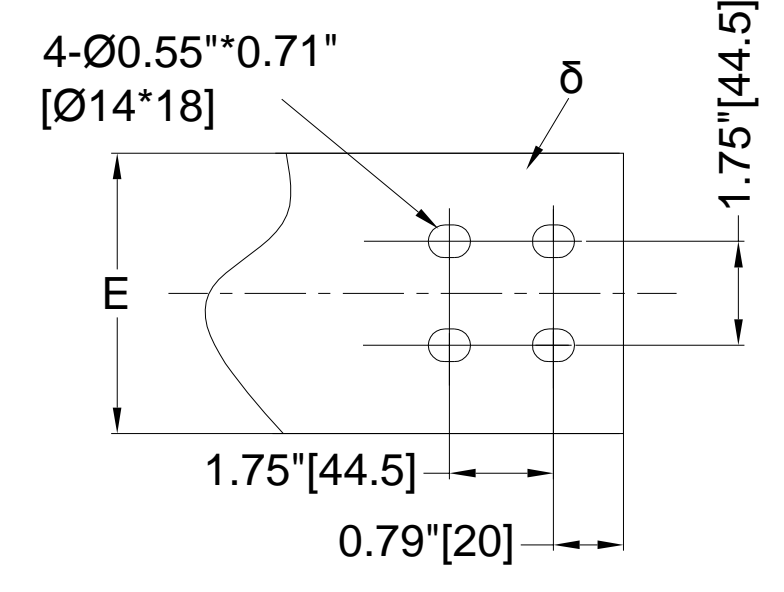
REV.
A

DISTR
TO

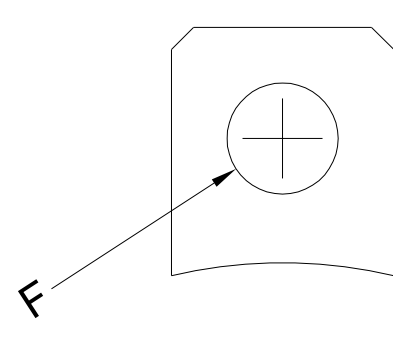
THIS DRAWING IS FOR REFERENCE ONLY,
JINPAN RESERVE THE RIGHT TO ADJUST
PARAMETER IF NECESSARY.



HV TERMINAL(H1-H3)

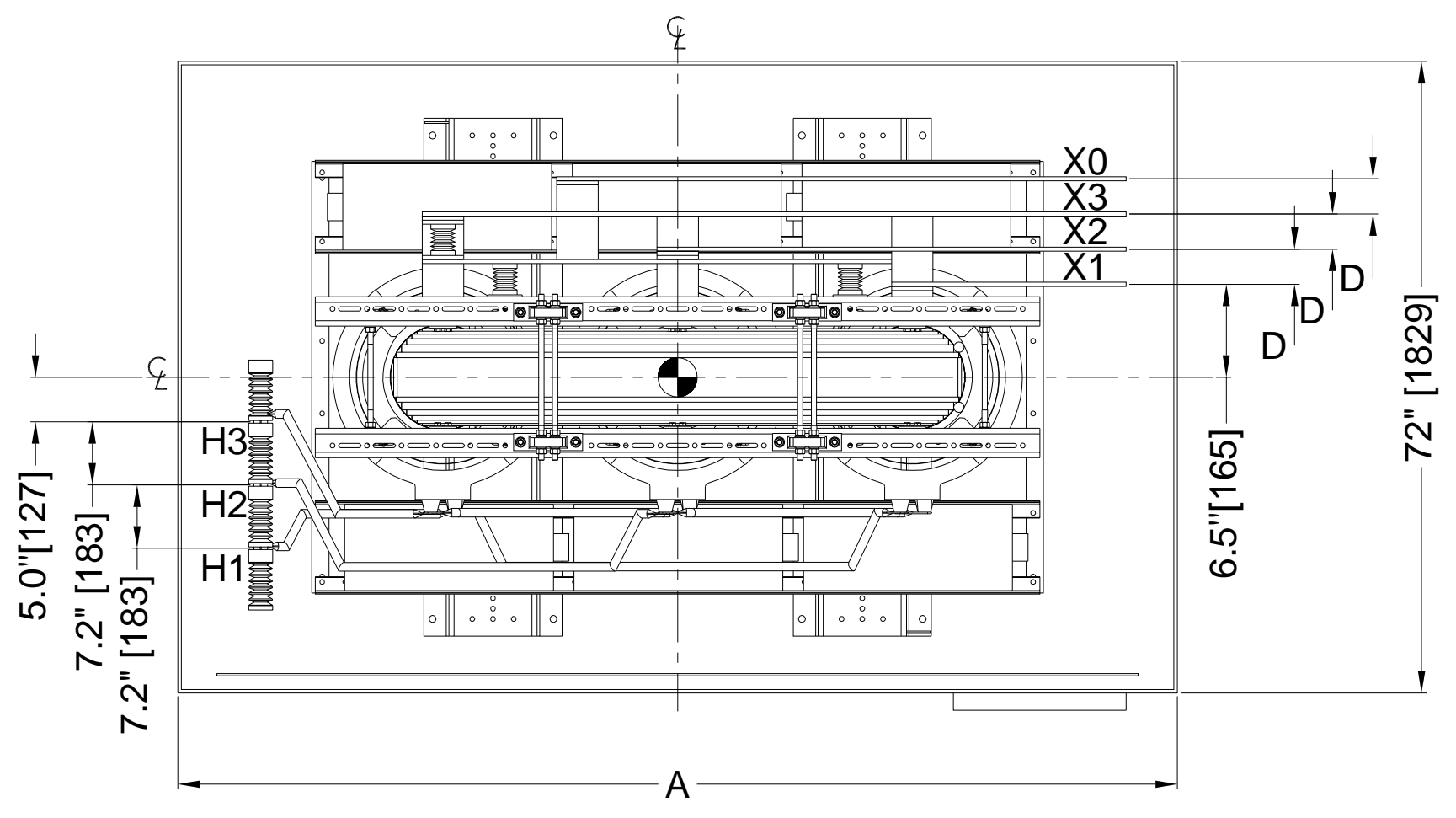


LV TERMINAL(X0-X3)

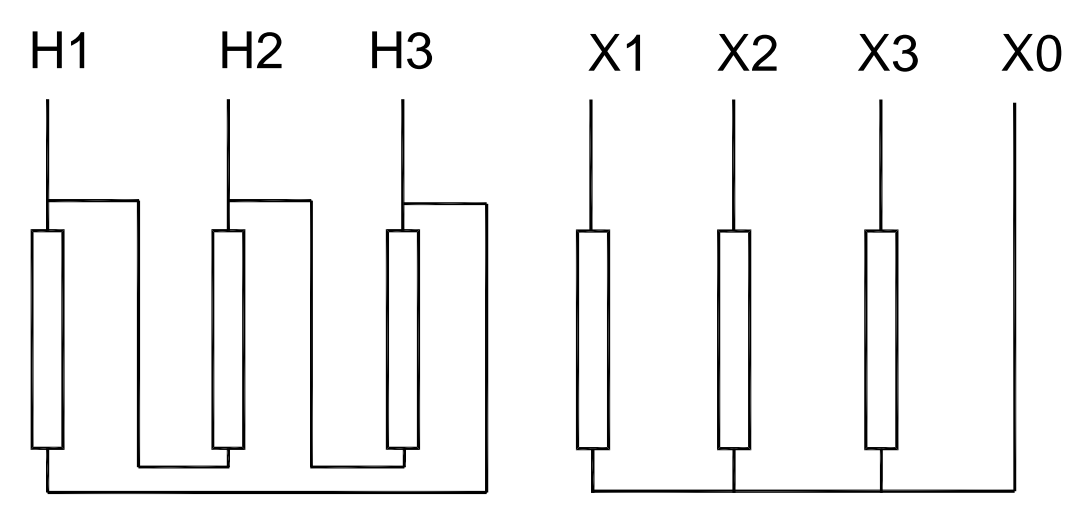


LIFTING LUG

Rated (kVA)	Dimension(in/mm)								LBS/KG	
	A	B	C	D	E	F	δ	G	W1	W2
500/665	96"[2438]	33"[838]	78"[1981]	3.78"[96]	3.15"[80]	Ø1.97"[Ø50]	0.24"[6]	38"[965]	4550/2065	6490/2950
1000/1330	96"[2438]	35"[889]	78"[1981]	3.94"[100]	3.15"[80]	Ø1.97"[Ø50]	0.39"[10]	38"[965]	8065/3660	10005/4540
2000/2660	114"[2896]	40"[1016]	88"[2235]	4.02"[102]	5.91"[150]	Ø1.97"[Ø50]	0.47"[12]	47"[1194]	14200/6440	16390/7440
3000/3990	126"[3200]	42"[1067]	88"[2235]	4.13"[105]	5.91"[150]	Ø2.76"[Ø70]	0.59"[15]	53"[1346]	17800/8075	20150/9140

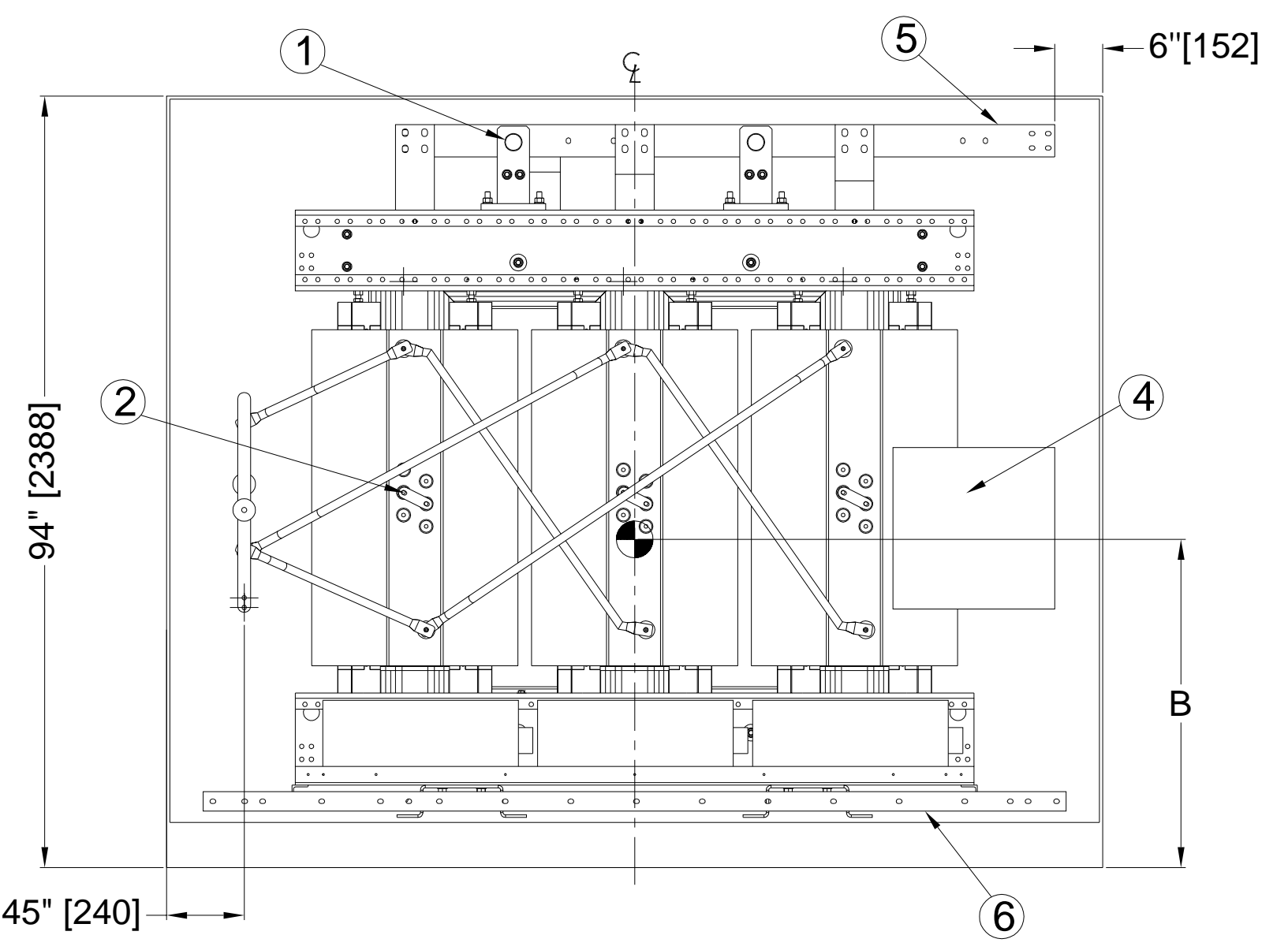


TOP PLAN VIEW

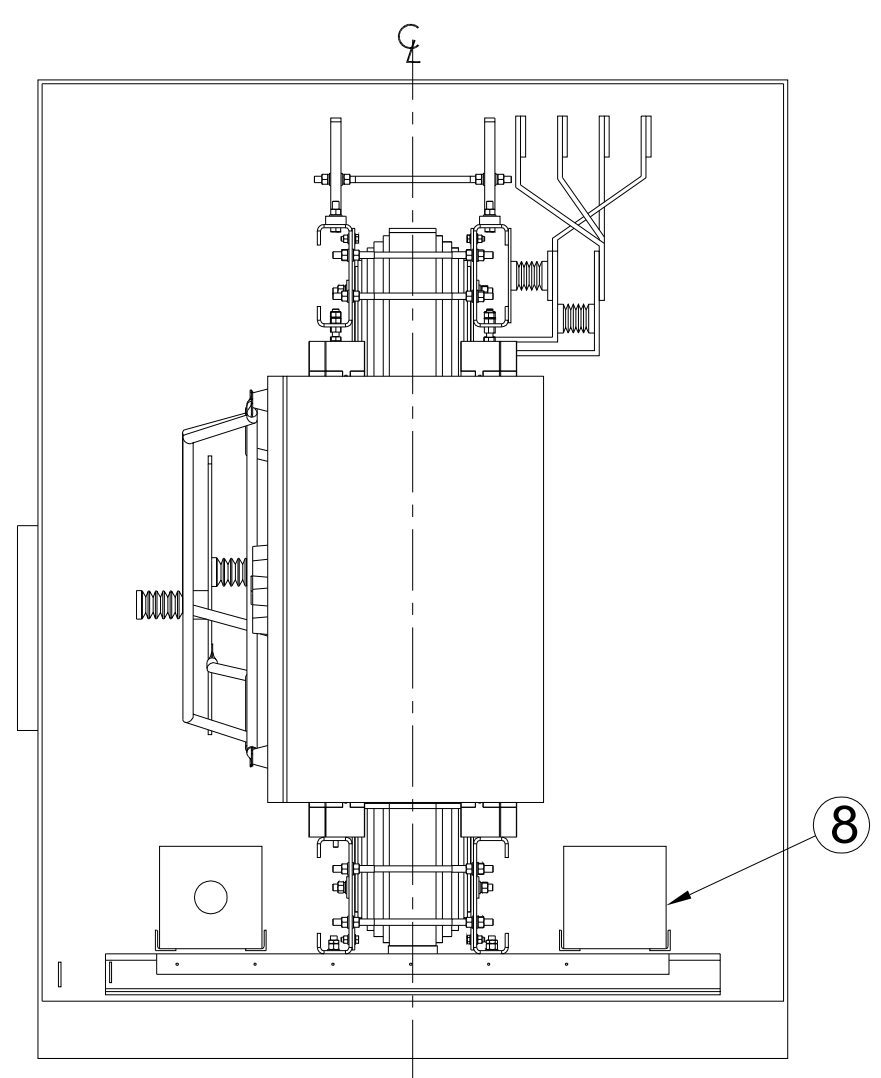


TAP	VOLTAGE	CONNECTIONS	FIGURE
A	14490	3 - 4	
B	14145	2 - 4	
C	13800	2 - 5	
D	13455	1 - 5	
E	13110	1 - 6	

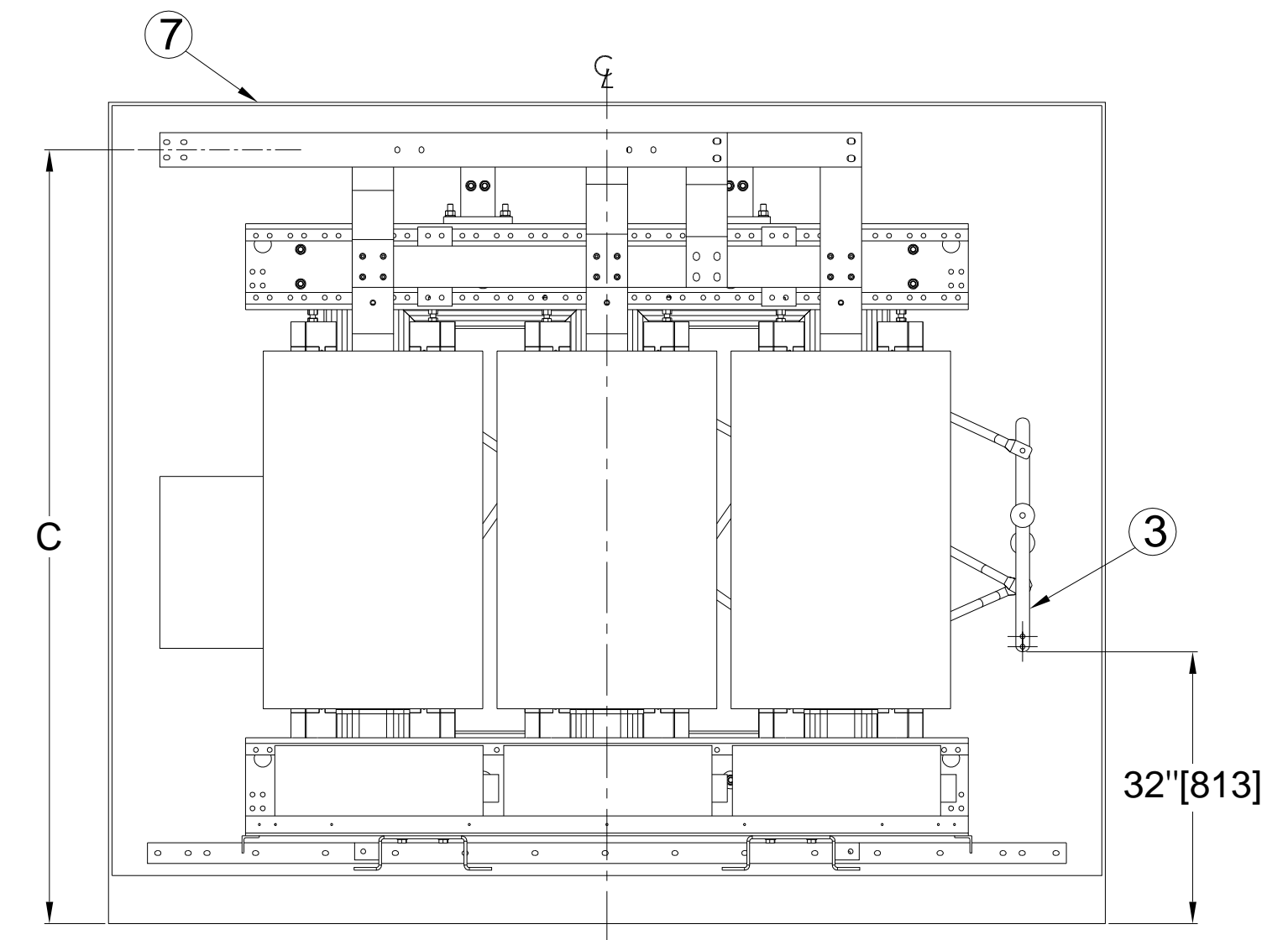
ITEM	QTY.	DESCRIPTION	REFERENCE
8	6	COOLING FAN	
7	1	ENCLOSURE	
6	1	GROUND BUS	
5	4	LV TERMINAL	
4	1	JUNCTION BOX (JB)	
3	3	HV TERMINAL	
2	3	HV TAPS	
1	4	LIFTING LUG	



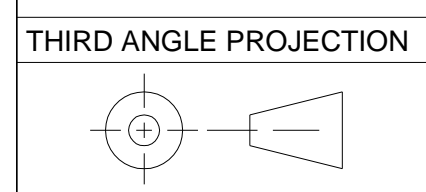
FRONT VIEW (HV TAPS)



RIGHT SIDE VIEW



REAR VIEW



STANDARD: IEEE Std C57.12.01, IEC 60076-11

KVA: Rated	13800	COOLING CLASS:	AA / FA
HV.	13800 V D	B.I.L.	95 kV 34 kV AC
LV.	480 V Y	B.I.L.	30 kV 4 kV AC
PHASE:	3	FREQUENCY:	60 Hz
INSULATION SYSTEM:	185°C(365°F)	TEMPERATURE RISE:	80°C(176°F)
HV TAPS:	±5%, 2.5% EACH STEP		
CONNECTION:	Dyn1		
IMPEDANCE:	5.75% based on Rated kVA (Tolerance: +/-7.5%)		
APPROX. WEIGHT	TRANSFORMER:	W1	
	TRANSFORMER WITH ENCLOSURE:	W2	

JINPAN INTERNATIONAL USA LIMITED
 390 VETERANS BOULEVARD *
 CARLSTADT, NJ, 07072 *

CAST COIL DRY-TYPE TRANSFORMER
 13.8 KV PRIMARY AND 0.48 KV SECONDARY

OUTLINE DRAWING

DWG NO: 13.8-0.48-NEMA 1-BUSBAR

SIGNATURES	DATE	SCALE:
DRAWN: M.Song	Sep 15, 2017	NONE
CHECKED: R.Mao	Sep 15, 2017	REV.: A
APPROVED: P.Wan	Sep 15, 2017	SHEET: 2 of 3

SIZE DWG NO. 13.8-0.48-NEMA 1-BUSBAR SHEET 2 REV. A

8

7

6

5

4

1

THIS DRAWING IS FOR REFERENCE ONLY,
JINPAN RESERVE THE RIGHT TO ADJUST
PARAMETER IF NECESSARY.

D

D

C

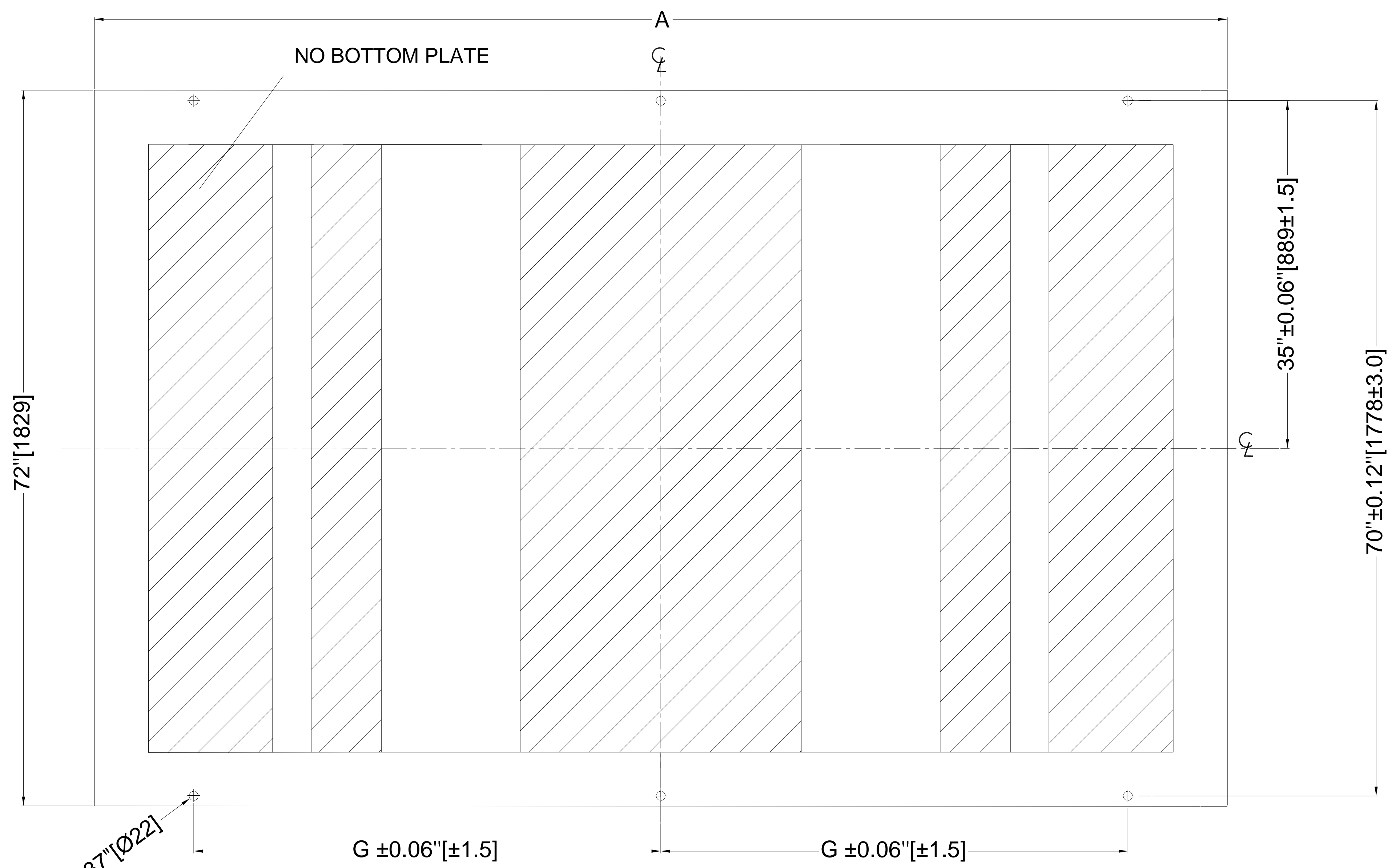
C

B

↑

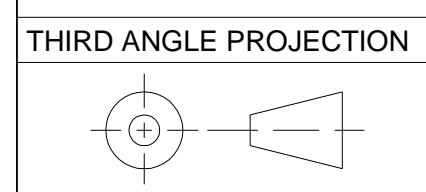
A

↓



MOUNTING HOLES 6-Ø0.87" [Ø22]

FRONT SIDE
FOUNDATION PLAN



8

7

6

5

4

3

2

1

↑

JINPAN INTERNATIONAL USA LIMITED		* 390 VETERANS BOULEVARD *	
		* CARLSTADT, NJ, 07072 *	
CAST COIL DRY-TYPE TRANSFORMER			
13.8 KV PRIMARY AND 0.48 KV SECONDARY			
OUTLINE DRAWING			
DWG NO: 13.8-0.48-NEMA 1-BUSBAR			
SIGNATURES		DATE	
DRAWN: M.Song		Sep 15, 2017	
CHECKED: R.Mao		Sep 15, 2017	
APPROVED: P.Wan		Sep 15, 2017	
SCALE: NONE		REV.: A	
SHEET: 3 of 3		DISTR TO	