

8

7

6

5

4

SIZE  
D

DWG NO.

13.8-0.208-NEMA 3R-CABLE

SH  
1

REV.  
A

1

NOTES:

0. APPLICABLE DOCUMENTS AND STANDARDS

A. IEEE Std C57.12.01, IEC 60076-11.

1. MECHANICAL:

A. CONSTRUCTION:

ENCLOSURE IS NEMA 3R OUTDOOR KNOCK DOWN TYPE WITH REMOVABLE PANELS MADE OF COLD-ROLLED STEEL SHEET ATTACHED TO A STEEL BASE FRAME, AND THE BASE IS FINISHED WITH SPRAYING BLACK PAINT.

COILS: FIBER REINFORCED VACUUM CAST EPOXY RESIN WITH COPPER WINDINGS.

CORE: STEP LAPPED SILICA STEEL LAMINATION (EQUAL TO M5) WITH BLACK EPOXY PAINT COATING .

BUS WORK: TIN PLATED COPPER.

B. FINISH:

ENCLOSURE IS ELECTRO-STATIC POWDER PAINT, ANSI 61.

C. THE JUNCTION BOX (NEMA 4X) INCLUDES TERMINALS AND TERMINAL BOARDS, AND CABLE ENTERS FROM THE BOTTOM OF THE TERMINAL BOX.

2. ELECTRICAL:

A. TRANSFORMER RATING (SEE SHEET 2).

3. ENVIRONMENTAL:

A. OPERATING

OUTDOOR

TEMPERATURE: DESIGN AMBIENT TEMPERATURE IS 30°C(86°F) AVG / 40°C(104°F) MAX.

ALTITUDE: 1000M (3300FEET) MAX

B. STORAGE

TEMPERATURE: -25°C(-13°F) TO 50°C(122°F)

HUMIDITY: 0% TO 75%

4. MISCL:

A.  : CENTER OF GRAVITY.

B. ALL INDICATORS AND GAUGES ARE DIMENSIONED IN BOTH ENGLISH AND METRIC UNITS, UNLESS OTHERWISE SPECIFIED, DIMENSION TOLERANCE IS ±3%.

C. 54" SPACE REQUIRED AROUND THE ENCLOSURE FOR VENTILATION AND MAINTENANCE.

THIS DRAWING IS FOR REFERENCE ONLY,  
JINPAN RESERVE THE RIGHT TO ADJUST  
PARAMETER IF NECESSARY.

REVISIONS				
REV.	ZONE	DESCRIPTION	DATE	APPROVED
A		INITIAL ISSUE	Sep 27, 2017	P.Wan

D

D

C

C

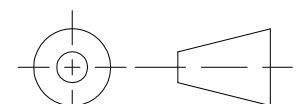
B

B

A

A

THIRD ANGLE PROJECTION



8

7

6

5

4

3

2

1

JINPAN INTERNATIONAL USA LIMITED		* 390 VETERANS BOULEVARD *	
		* CARLSTADT, NJ, 07072 *	
CAST COIL DRY-TYPE TRANSFORMER			
13.8 KV PRIMARY AND 0.208 KV SECONDARY			
<b>OUTLINE DRAWING</b>			
DWG NO: <b>13.8-0.208-NEMA 3R-CABLE</b>			
SIGNATURES		DATE	
DRAWN: R.Fu		Sep 27, 2017	SCALE: NONE
CHECKED: R.Mao		Sep 27, 2017	REV.: A
APPROVED: P.Wan		Sep 27, 2017	SHEET: 1 of 3

SIZE  
D

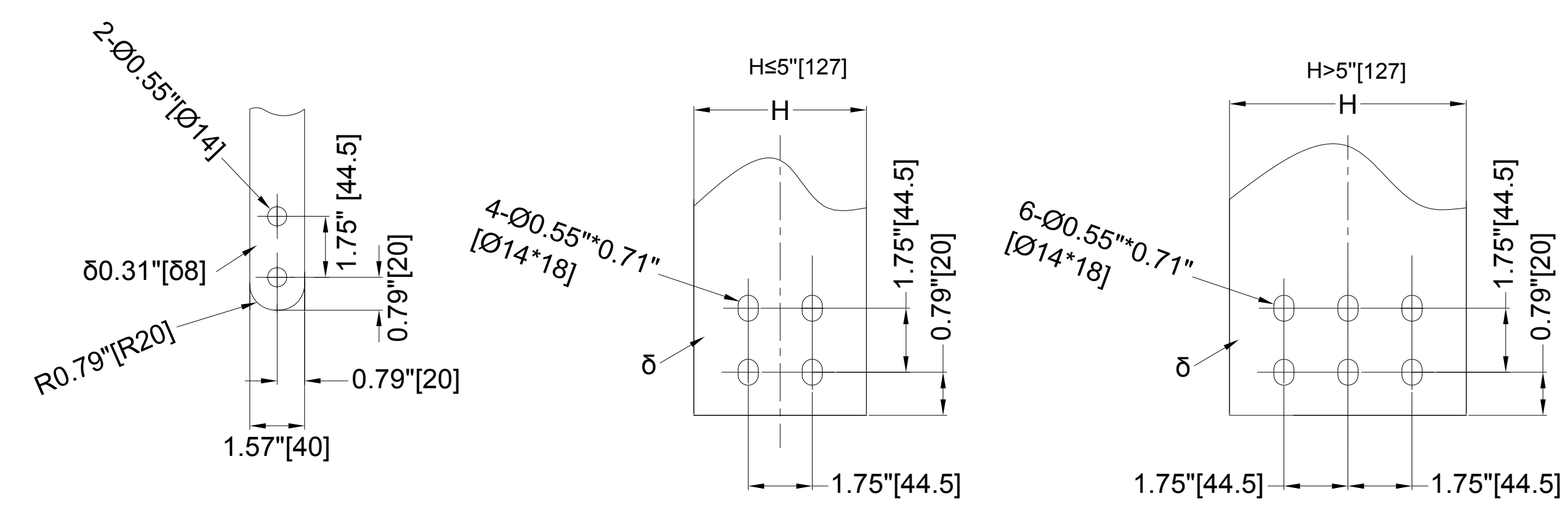
DWG NO.  
13.8-0.208-NEMA 3R-CABLE

SH  
1

REV.  
A

TO  
DISTR

THIS DRAWING IS FOR REFERENCE ONLY,  
JINPAN RESERVE THE RIGHT TO ADJUST  
PARAMETER IF NECESSARY.

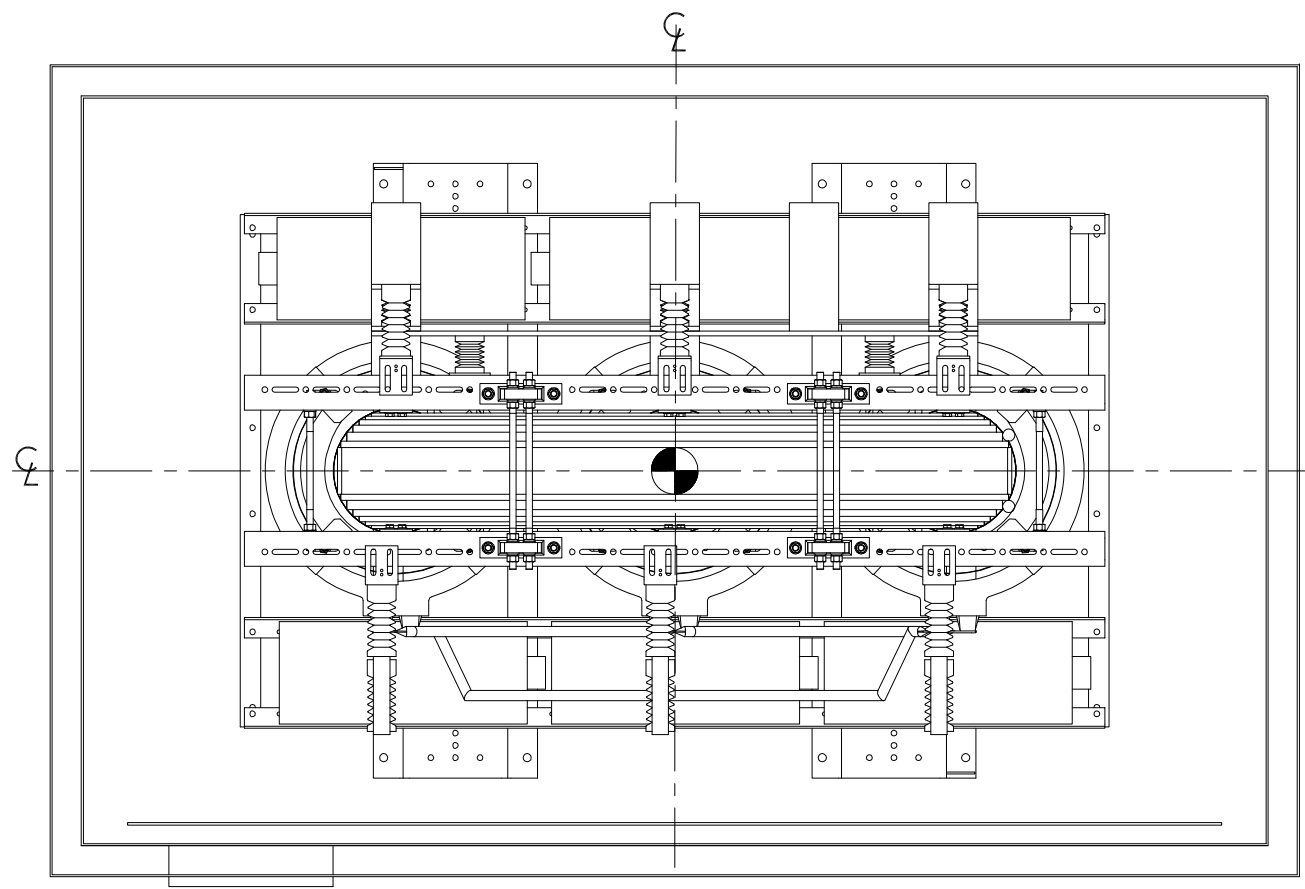


Rated (kVA)	Dimension(in/mm)												LBS/KG	
	A	B	C	D	E	F	G	H	δ	I	J	W1	W2	
500/665	96"[2438]	20.3"[515]	33"[838]	55"[1397]	50"[1270]	23.4"[595]	23.7"[602]	3.94"[100]	0.39"[10]	Ø1.97"[Ø50]	38"[965]	5155/2340	8795/3990	
1000/1330	96"[2438]	24.6"[625]	40"[1016]	71"[1803]	68"[1727]	24.4"[620]	24.7"[627]	5.91"[150]	0.47"[12]	Ø1.97"[Ø50]	38"[965]	10810/4905	14450/6555	
1500/1995	114"[2896]	26"[660]	42"[1067]	71"[1803]	68"[1727]	25.4"[645]	25.7"[654]	7.1"[180]	0.59"[15]	Ø1.97"[Ø50]	47"[1194]	13120/5950	17195/7800	

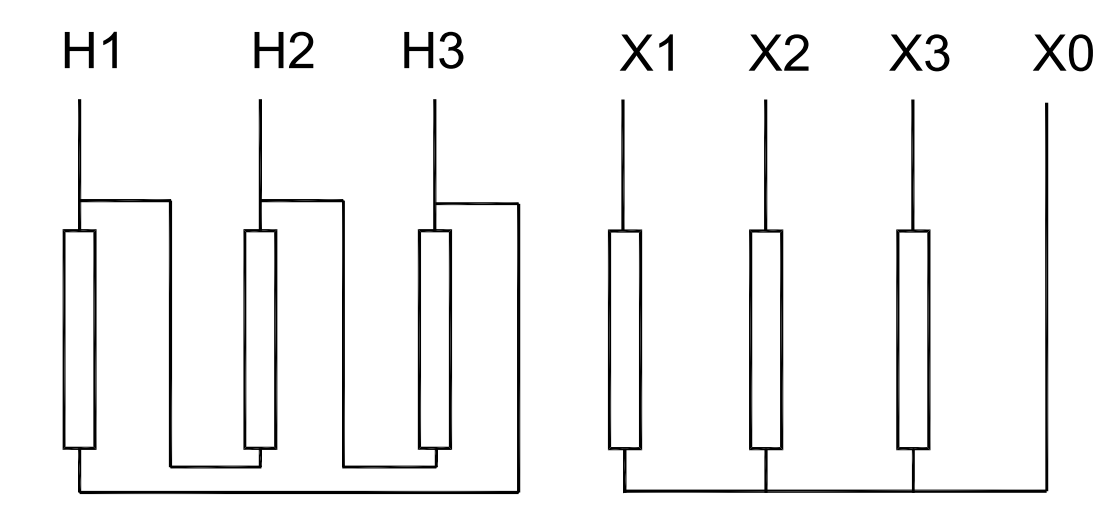
HV TERMINAL(H1-H3)

LV TERMINAL(X0-X3)

LIFTING LUG



TOP PLAN VIEW



TAP	VOLTAGE	CONNECTIONS	FIGURE
A	14490	3 - 4	
B	14145	2 - 4	
C	13800	2 - 5	
D	13455	1 - 5	
E	13110	1 - 6	

ITEM	QTY.	DESCRIPTION	REFERENCE
8	6	COOLING FAN	
7	1	ENCLOSURE	
6	1	GROUND BUS	
5	4	LV TERMINAL	
4	1	JUNCTION BOX (JB)	
3	3	HV TERMINAL	
2	3	HV TAPS	
1	4	LIFTING LUG	

STANDARD: IEEE Std C57.12.01, IEC 60076-11

KVA: Rated COOLING CLASS: AA / FA

HV. 13800 V D B.I.L. 95 kV 34 kV AC

LV. 208 V Y B.I.L. 30 kV 4 kV AC

PHASE: 3 FREQUENCY: 60 Hz

INSULATION SYSTEM: 185°C(365°F) TEMPERATURE RISE: 80°C(176°F)

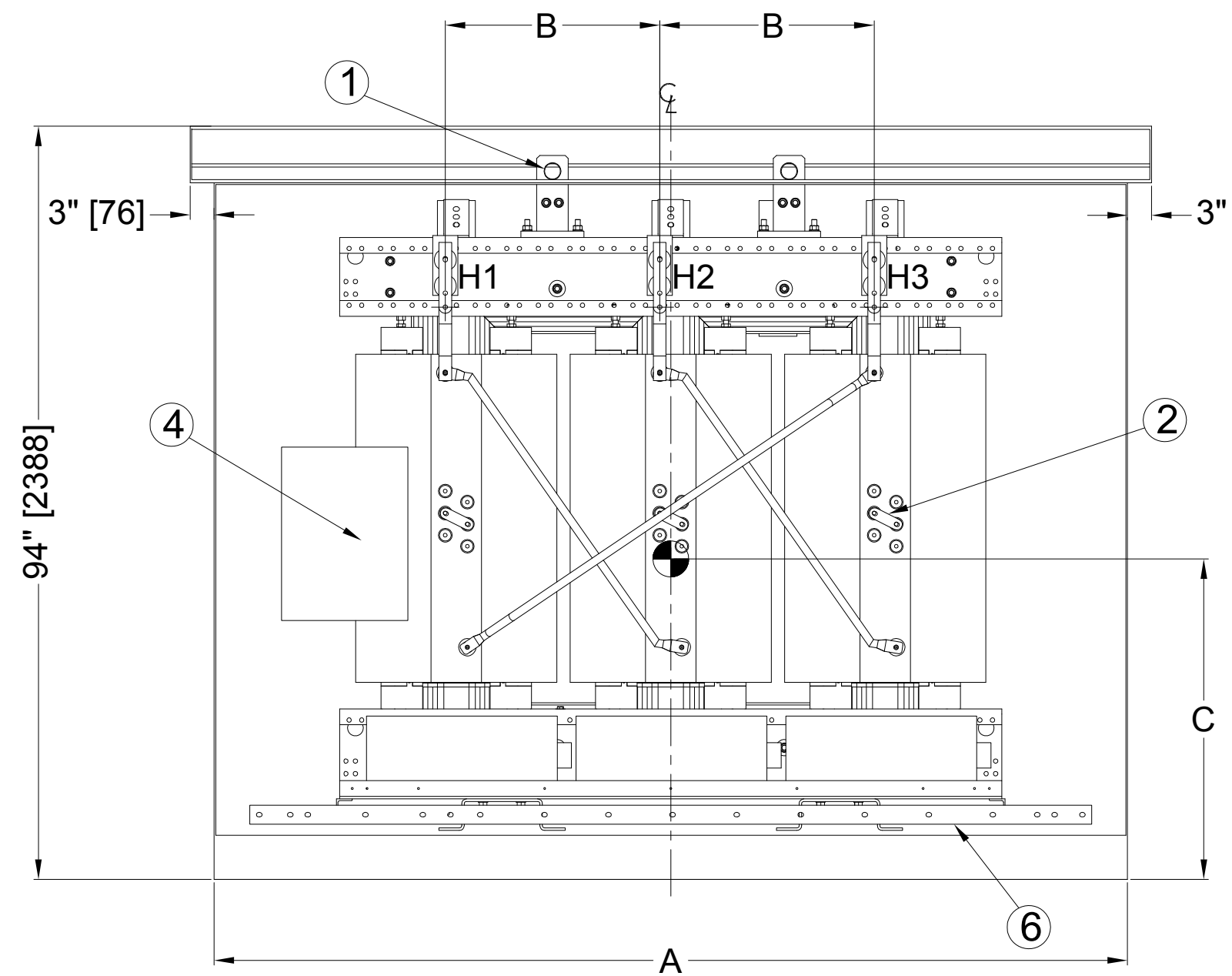
HV TAPS: ±5%, 2.5% EACH STEP

CONNECTION: Dyn1

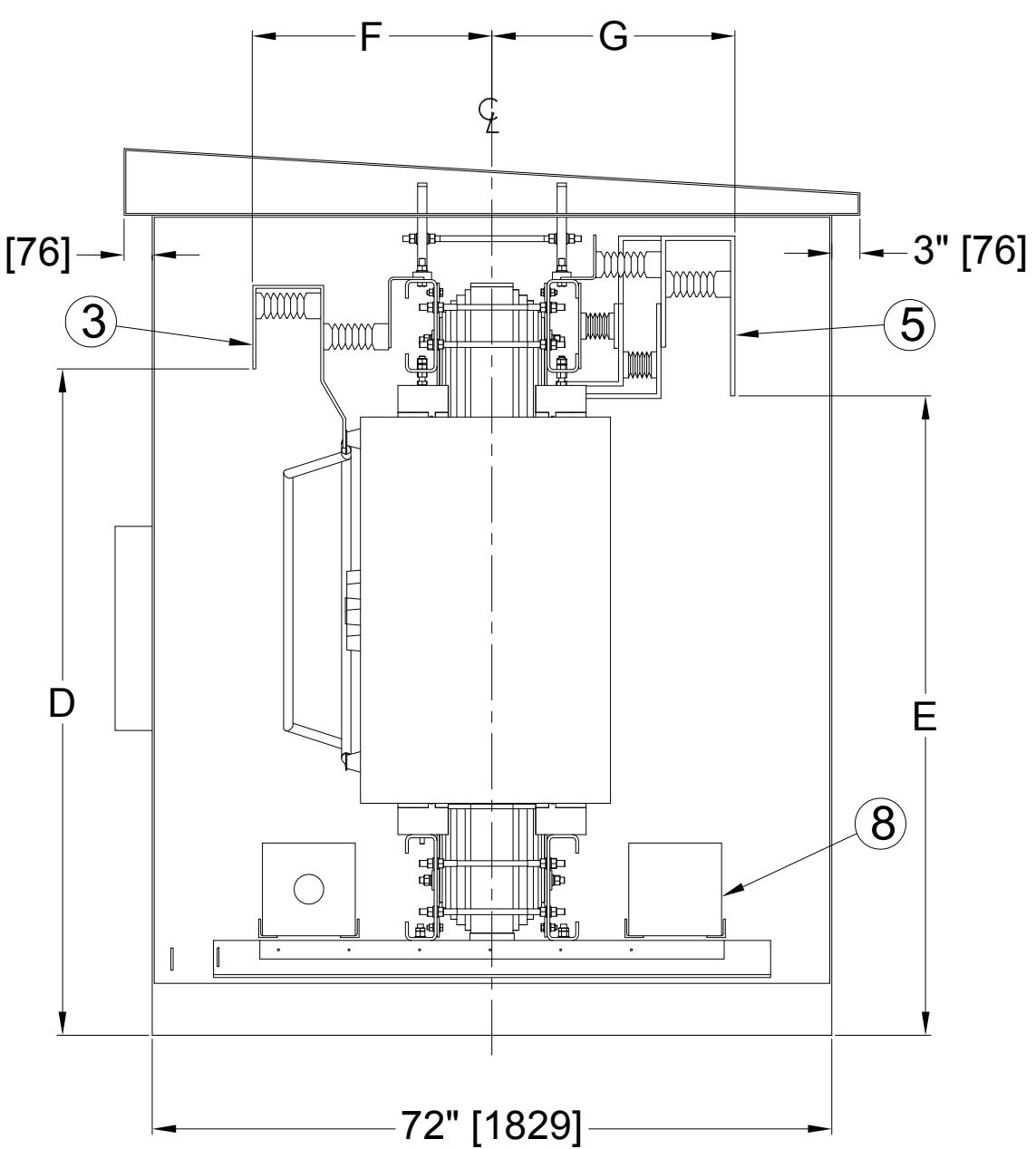
IMPEDANCE: 5.75% based on Rated kVA (Tolerance: +/-7.5%)

APPROX. WEIGHT TRANSFORMER: W1

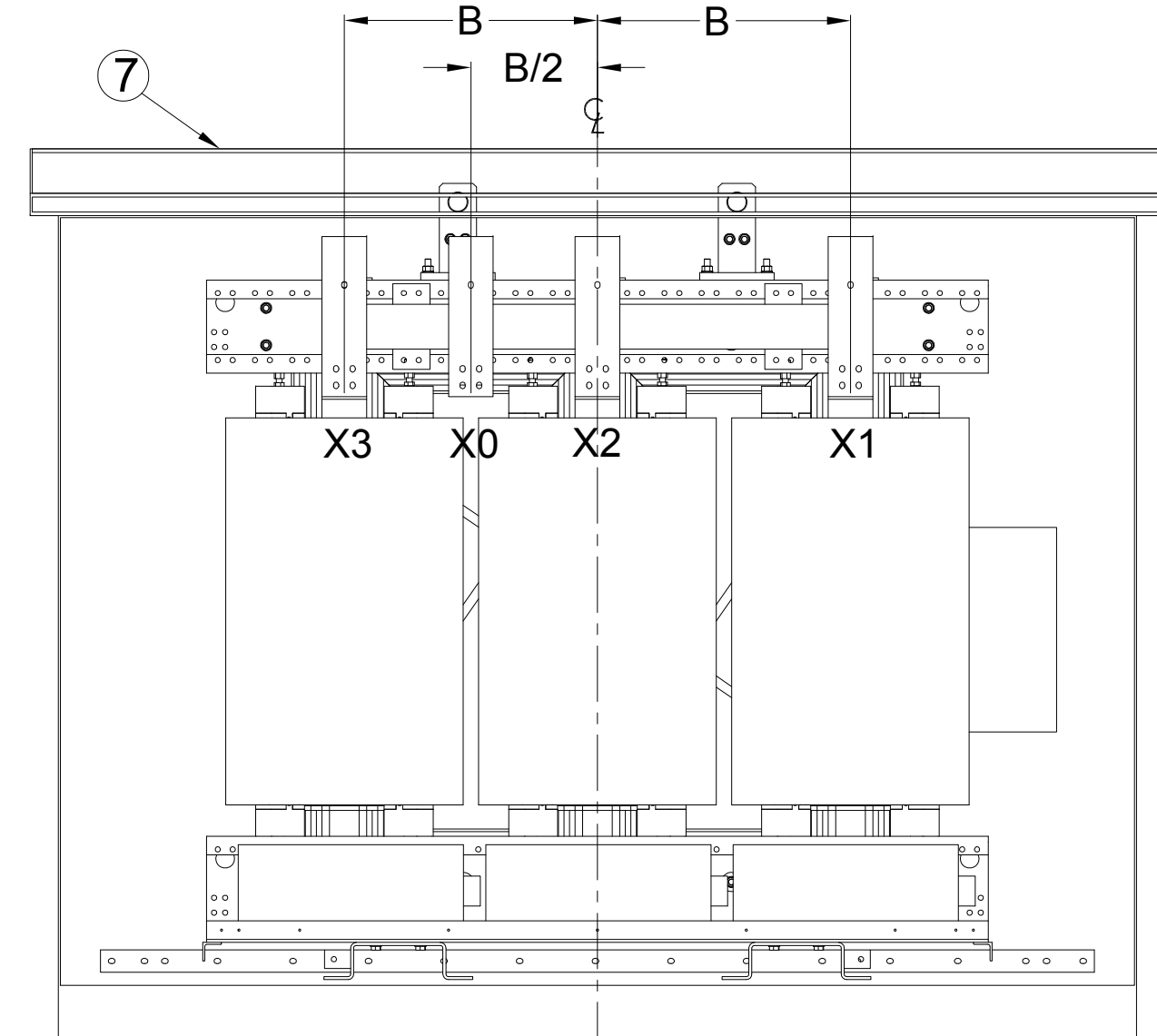
TRANSFORMER WITH ENCLOSURE: W2



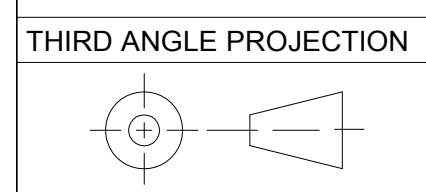
FRONT VIEW (HV TAPS)



RIGHT SIDE VIEW



REAR VIEW



JINPAN INTERNATIONAL USA LIMITED \* 390 VETERANS BOULEVARD \*  
\* CARLSTADT, NJ, 07072 \*

CAST COIL DRY-TYPE TRANSFORMER

13.8 KV PRIMARY AND 0.208 KV SECONDARY

**OUTLINE DRAWING**

DWG NO: **13.8-0.208-NEMA 3R-CABLE**

SIGNATURES	DATE	SCALE:
DRAWN: R.Fu	Sep 27, 2017	NONE
CHECKED: R.Mao	Sep 27, 2017	REV.: A
APPROVED: P.Wan	Sep 27, 2017	SHEET: 2 of 3

SIZE DWG NO. 13.8-0.208-NEMA 3R-CABLE SH REV. 2 A

8

7

6

5

4

1

THIS DRAWING IS FOR REFERENCE ONLY,  
JINPAN RESERVE THE RIGHT TO ADJUST  
PARAMETER IF NECESSARY.

D

D

C

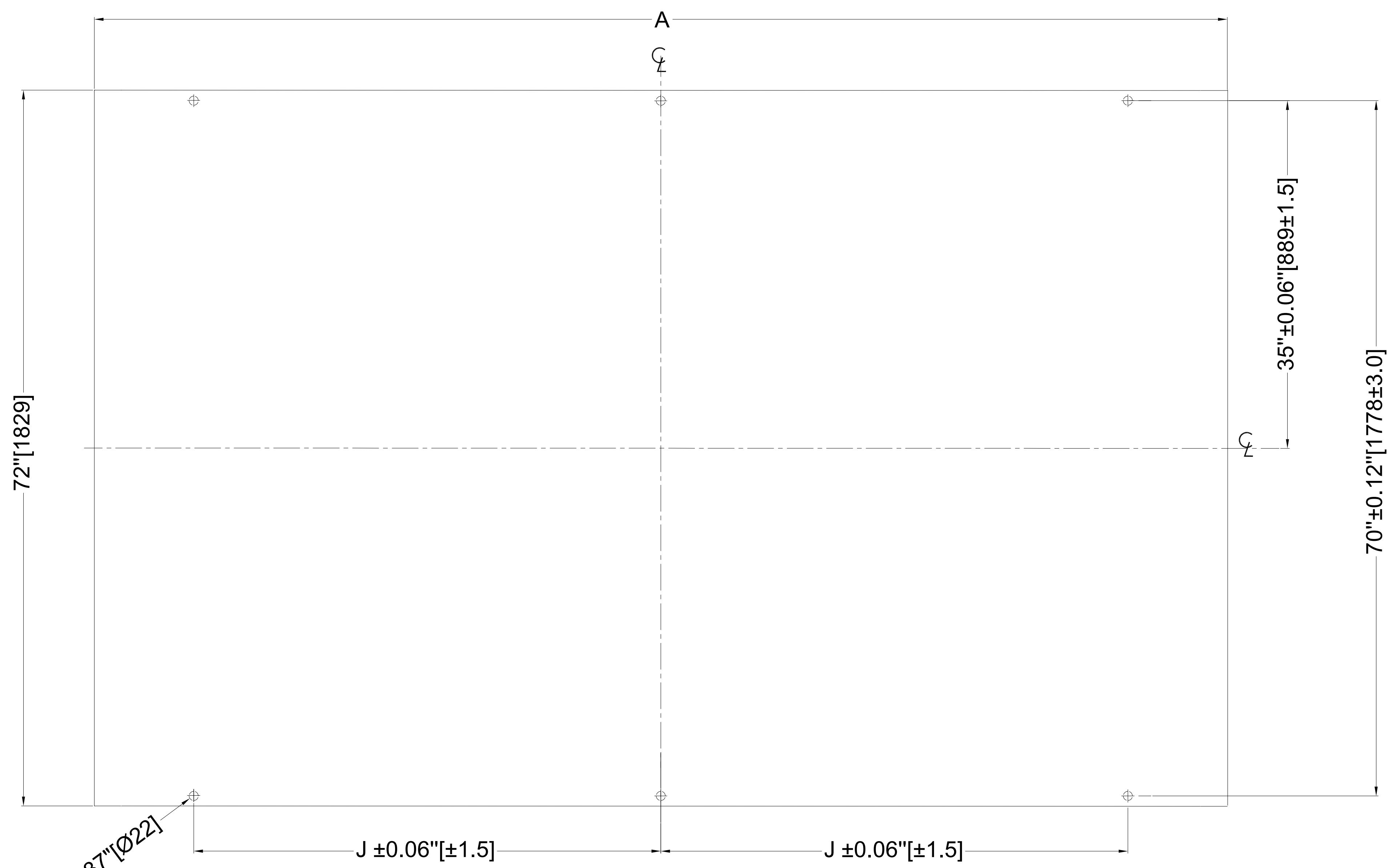
C

B

B

A

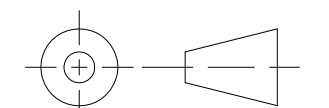
A



MOUNTING HOLES 6-Ø0.87" [Ø22]

FRONT SIDE  
FOUNDATION PLAN

THIRD ANGLE PROJECTION



8

7

6

5

4

3

2

1



JINPAN INTERNATIONAL USA LIMITED		* 390 VETERANS BOULEVARD *	
		* CARLSTADT, NJ, 07072 *	
CAST COIL DRY-TYPE TRANSFORMER			
13.8 KV PRIMARY AND 0.208 KV SECONDARY			
<b>OUTLINE DRAWING</b>			
DWG NO:		<b>13.8-0.208-NEMA 3R-CABLE</b>	
SIGNATURES		DATE	
DRAWN: R.Fu	Sep 27, 2017	SCALE:	NONE
CHECKED: R.Mao	Sep 27, 2017	REV.:	A
APPROVED: P.Wan	Sep 27, 2017	SHEET:	3 of 3

SIZE | DWG NO. | SHEET | REV. | DIST. TO

D | 13.8-0.208-NEMA 3R-CABLE | 3 | A | TO